



OLP LED Series

SPECIFICATIONS

- Die Cast Aluminum Housing
- Tempered Clear Flat Glass Lens
- White Reflector
- Bronze Powder Coat Finish, Optional Custom Color
- CRI LED COB
- Universal Volt LED COB 120-277V
- 4100K LED Color
- Built-in Heat Sink
- 30° Narrow, 70° Medium or 100° Wide Distribution
- Stainless Steel Hardware
- Optional Surge Protection
- Optional Dimming

APPLICATIONS

- General Area Lighting
- Schools, Commercial Buildings, Communities
- Offices, Retail Centers, Airports

ELECTRICAL

- 120-277V 50/60Hz
- 20 Watt COB
- 30°; 2,326 Lumens
- 70°; 2,372 Lumens
- 100°; 2,336 Lumens

INSTALLATION

- Pendant Mount

CERTIFICATIONS/LISTINGS

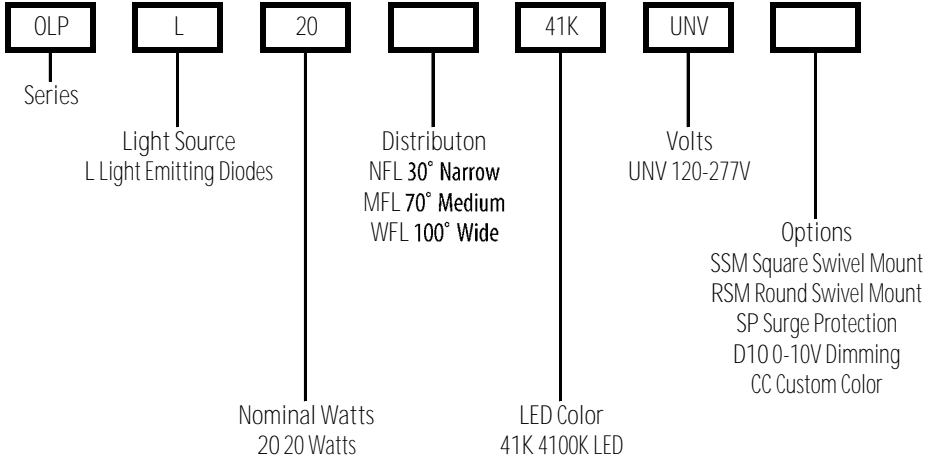
- CSA Listed
- IP66
- Listed for Wet Locations

PROJECT \_\_\_\_\_ TYPE \_\_\_\_\_

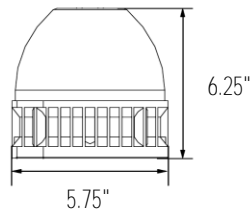
QTY \_\_\_\_\_ NOTES \_\_\_\_\_ APPROVAL \_\_\_\_\_

ORDERING/SPECIFYING INFORMATION:

EXAMPLE: OLP L 20 NFL 41K UNV



SPECIFICATIONS



OPTIONS/ACCESSORIES



SSM Square Swivel Mount



RSM Round Swivel Mount



Specifications Subject to Change

