

# SS2 Series

# Staggered Strip 2-Light



SS2 Series

### SPECIFICATIONS

- Heavy Gauge Cold Rolled Steel Housing
- White Polyester Polymer Finish
- Highly Efficient Fixture
- Minimum 82% Reflectivity
- T8 Lamp Fluorescent
- LED T8 (BC) Ballast Capitable or (BP) By-Pass
- Available in 27", 39" & 51"
- Units Equipped with Knockouts and Holes for Pendant Mounting (Conduit by Others)
- Designed for Mounting in Continuous Rows, for Cove Lighting Applications
- Optional Lamped
- Optional Tandem

### APPLICATIONS

- General Area Lighting
- Schools, General Commercial, Retail, Hospitals
- Office Buildings, Libraries, Restaurants, Lobbies
- Warehouses, Industrial, Storage Areas

### ELECTRICAL

- 120-277V; 50/60Hz

### INSTALLATION

- Surface, Chain or Pendant Mount (Conduit by Others)
- Mounts in Continuous Rows for Cove Lighting

### CERTIFICATIONS/LISTINGS

- UL Listed
- Listed for Damp Locations

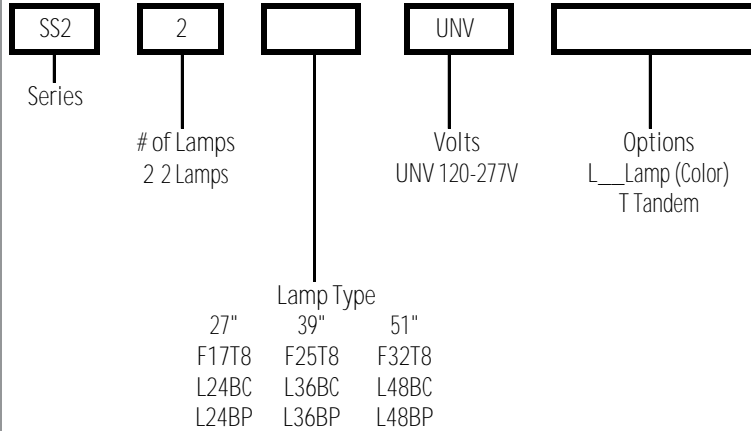
MEMPHIS  
LIGHTING

PROJECT \_\_\_\_\_ TYPE \_\_\_\_\_

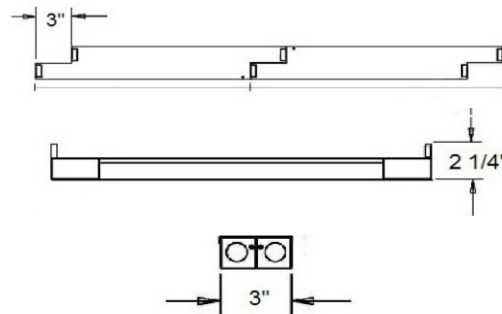
QTY \_\_\_\_\_ NOTES \_\_\_\_\_ APPROVAL \_\_\_\_\_

### ORDERING/SPECIFYING INFORMATION:

EXAMPLE: SS2 2 F25T8 UNV



### SPECIFICATIONS



### OPTIONS/ACCESSORIES

Specifications Subject to Change

