



OWCD LED Series

SPECIFICATIONS

- Extruded Round Aluminum Housing with Built-in Heat Sinks
- White Reflector
- Tempered Clear Flat Glass Lens
- Bronze or Black Powder Coat Finish, Optional Custom Color
- CRI LED COB
- Universal Volt LED Driver 120-277V, Optional 480V
- 41K LED Color
- Choice of Direction of Light Distribution
- Optional Emergency Battery
- Optional Surge Protection
- Optional Dimming

APPLICATIONS

- General Area Lighting
- Building Facade Lighting
- Schools, Commercial Buildings, Universities

ELECTRICAL

- 120-277V 50/60Hz
- Optional 480V 50/60Hz
- 40 Watt COB System, 4,577 Lumens

INSTALLATION

- Surface Mount over Recessed Box

CERTIFICATIONS/LISTINGS

- CSA Listed
- IP66
- Listed for Wet Locations

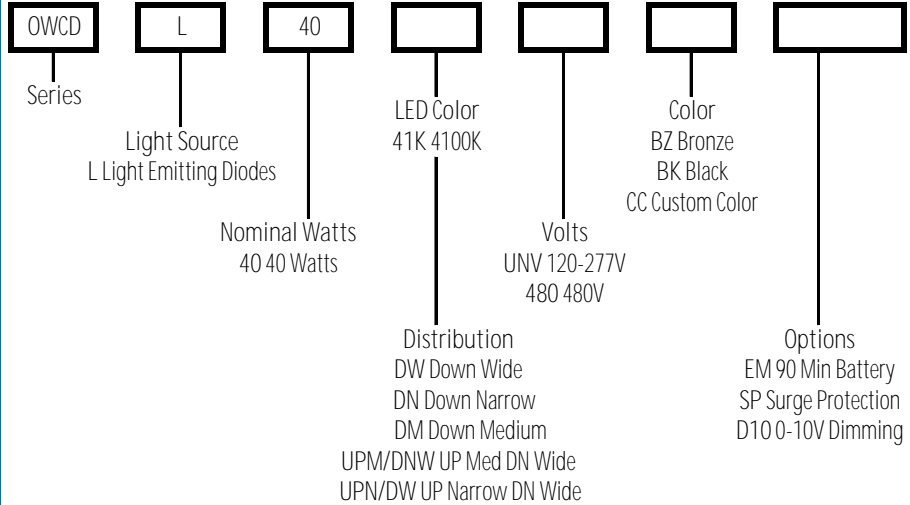


PROJECT _____ TYPE _____

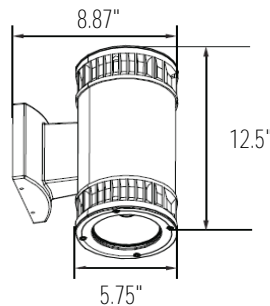
QTY _____ NOTES _____ APPROVAL _____

ORDERING/SPECIFYING INFORMATION:

EXAMPLE: OWCD L 40 41K DW UNV BZ



SPECIFICATIONS



OPTIONS/ACCESSORIES

