

# OWC Amber LED Series

# LED Orion Wall Cylinder Amber



OWC Amber LED Series

### SPECIFICATIONS

- Extruded Round Aluminum Housing with Built-in Heat Sinks
- White Reflector
- Tempered Clear Flat Glass Lens
- Bronze or Black Powder Coat Finish, Optional Custom Color
- CRI LED COB
- Universal Volt Electronic Driver 120-277V
- Choice of Direction of Light Distribution
- 100 Degree Optic Standard; Optional 30 and 70 Degrees
- Monochromatic Amber LED Light
- Turtle Friendly, LEDs Operates Between 585 Nanometers and 595 Nanometers
- Optional Emergency Battery
- Optional Surge Protection
- Optional Dimming

### APPLICATIONS

- General Area Lighting
- Building Facade Lighting
- Schools, Commercial Buildings, Universities

### ELECTRICAL

- 120-277V; 50/60Hz
- 20 Watt COB; (Down Light Only)
- 40 Watt COB; (Up/Down Light)

### INSTALLATION

- Surface Mount Over Recessed Box

### CERTIFICATIONS/LISTINGS

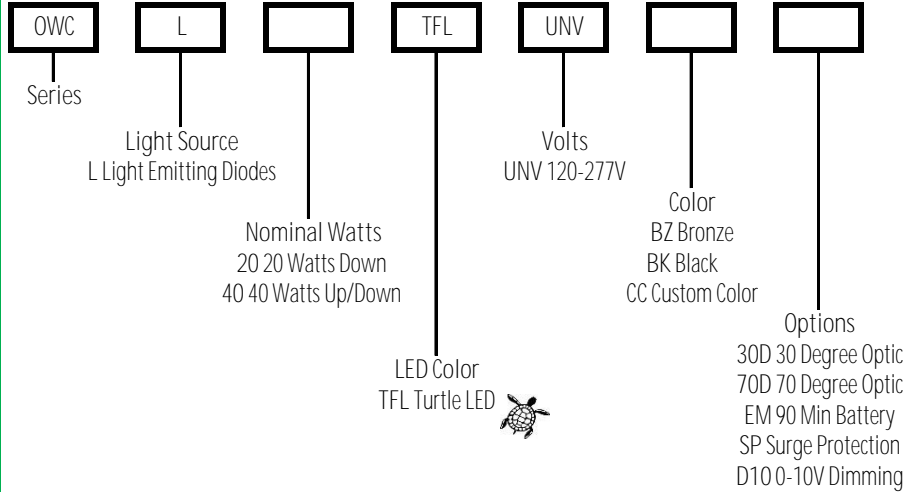
- CSA Listed
- IP66
- Listed for Wet Locations



PROJECT \_\_\_\_\_ TYPE \_\_\_\_\_  
 QTY \_\_\_\_\_ NOTES \_\_\_\_\_ APPROVAL \_\_\_\_\_

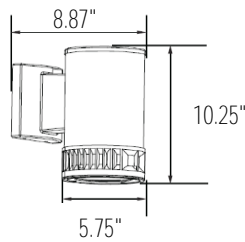
### ORDERING/SPECIFYING INFORMATION:

EXAMPLE: OWC L 20 TFL UNV BZ

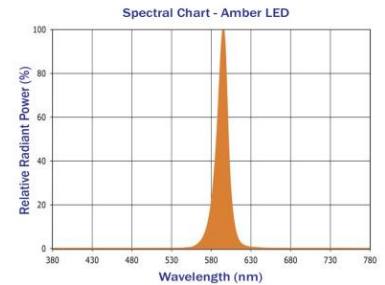
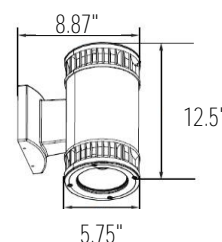


### SPECIFICATIONS

Down Light Only



Up/Down Light



### OPTIONS/ACCESSORIES

Specifications Subject to Change

