

OSG LED Series

Ovation LED Square Grated Wall Sconce



OSG LED Series

SPECIFICATIONS

- Die Cast Aluminum Housing
- Grated Front Frame, Gasketed
- Polycarbonate Opal Lens
- Bronze or White Powder Coat Finish, Optional Custom Color
- CRI LED Aluminum Substrate Board
- Universal Volt LED Driver with Optional Dimming
- 3K, 4K or 5K LED Color Options
- Stainless Steel Hardware
- Optional Motion Sensing Control for Bi-Level Operation
- Optional Emergency Battery
- Optional Surge Protection
- Optional Photocell

APPLICATIONS

- General Area Lighting
- Building Facade Lighting
- Schools, Commercial Buildings, Universities

ELECTRICAL

- 120-277V 50/60Hz
- 17 Watts; 1,923 Lumens

INSTALLATION

- Mounts Over Recessed Box or Surface Conduit

CERTIFICATIONS/LISTINGS

- CSA Listed
- IP66
- Listed for Wet Locations

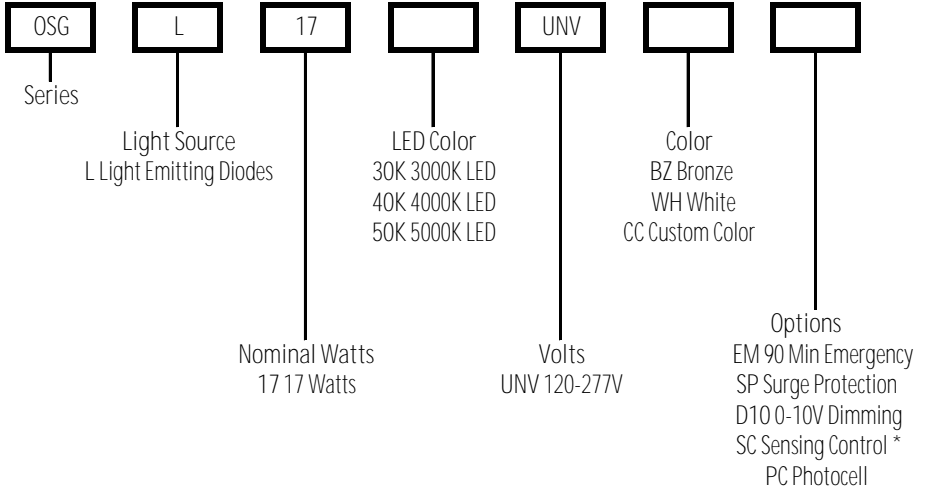


PROJECT _____ TYPE _____

QTY _____ NOTES _____ APPROVAL _____

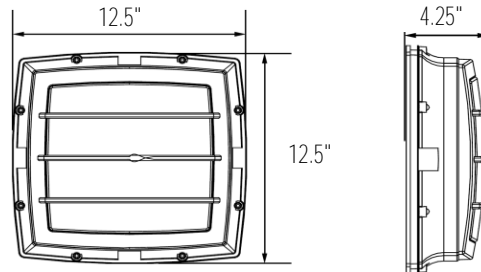
ORDERING/SPECIFYING INFORMATION:

EXAMPLE: OSG L 17 40K UNV BZ



* Up to 15 Feet Mounting

SPECIFICATIONS



OPTIONS/ACCESSORIES

Specifications Subject to Change

