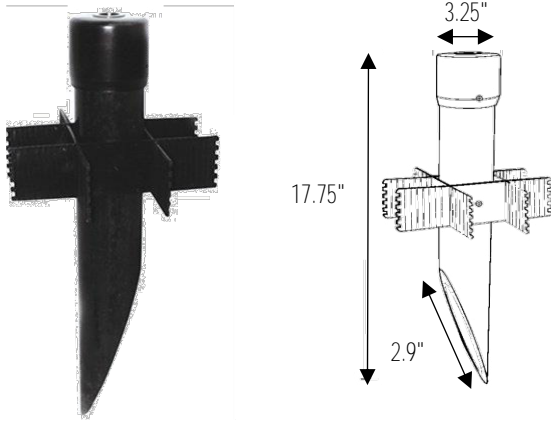




ORDER CODE \_\_\_\_\_ QTY \_\_\_\_\_  
 PROJECT \_\_\_\_\_ TYPE \_\_\_\_\_  
 NOTES \_\_\_\_\_ APPROVAL \_\_\_\_\_

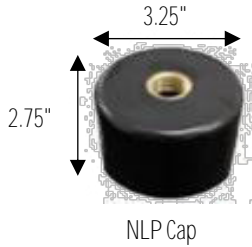
NightScenes Landscape Post  
 NLP Series

Specifications  
 PVC Landscape Post Black  
 1/2" Brass Hub



Installation  
 Ground Mount

Dimensions  
 Height 17.75"  
 Width (Top) 3.25"  
 Width (Bottom) 2.9"



Ordering Information (Example: NLP)

Series **NLP**

*Specifications Subject to Change*

