



LP LED Series

SPECIFICATIONS

- LED Slim Panel
- Acrylic Injected Molded Lens
- Available in 1'x4', 2'x2' and 2'x4'
- Fits T-Bar and Narrow Grid Drop Ceilings
- CRI LED Light Engine
- Universal Volt LED Driver 120-277V, Optional Dimming
- 30K, 40K or 50K LED Color Options
- Optional Emergency Battery
- Optional Dimming
- Optional Recessed Mount Kit
- Optional Surface Mount Kit

APPLICATIONS

- General Area Lighting
- Schools, Conference Rooms, Retail, Hospitals
- Corridors, Offices, Foyer, Healthcare

ELECTRICAL

- 120-277V; 50/60Hz
- 1'x4', 30 Watts; 3,750 Lumens
- 2'x2', 30/40 Watts; 3,000/5,000 Lumens
- 2'x4', 40/50 Watts; 4,000/6,250 Lumens

INSTALLATION

- Fits Standard T-Bar and Narrow Grid Drop Ceilings
- Optional Recessed Mount or Surface Mount Kit

CERTIFICATIONS/LISTINGS

- UL Listed
- DLC Qualified
- IC Rated for Insulation Contact
- Listed for Damp Locations

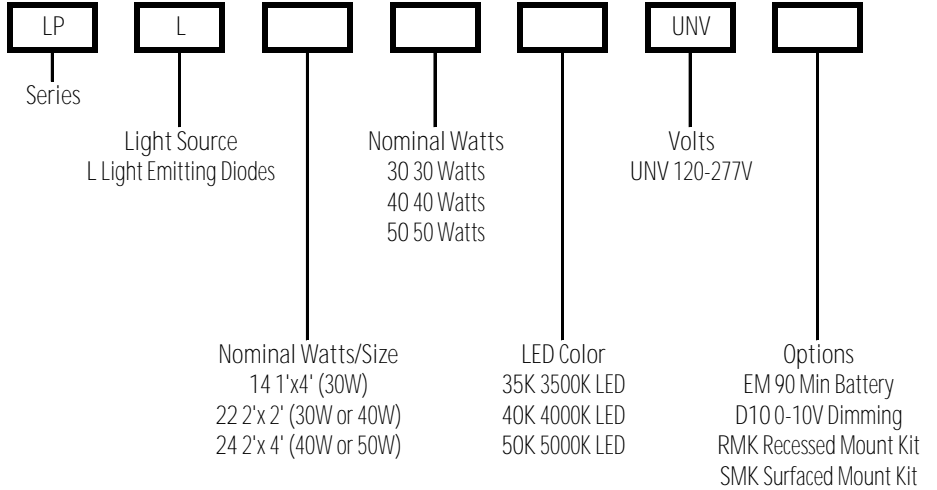


PROJECT _____ TYPE _____

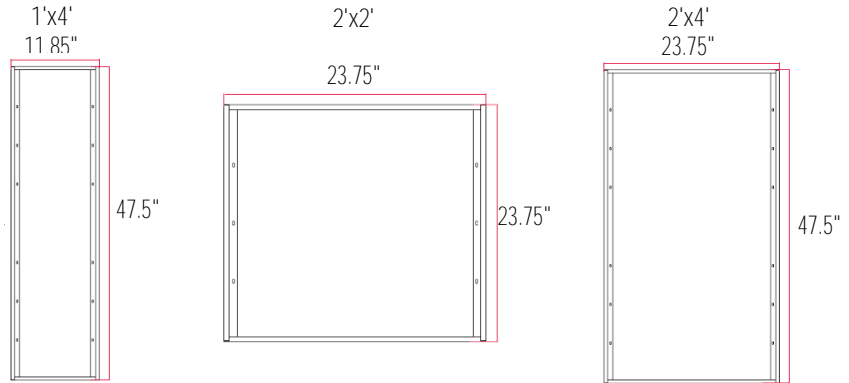
QTY _____ NOTES _____ APPROVAL _____

ORDERING/SPECIFYING INFORMATION:

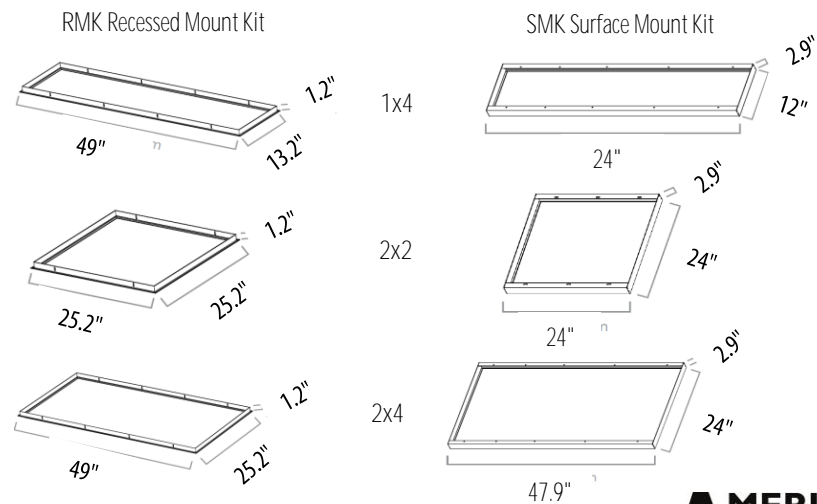
EXAMPLE: LP L 24 40 50K UNV



SPECIFICATIONS



OPTIONS/ACCESSORIES



Specifications Subject to Change

