



LCH LED Series

SPECIFICATIONS

- Die Cast Aluminum Housing
- Polycarbonate Diffuser
- Weather Proof Construction
- White or Gray Powder Coat Finish
- Universal Volt LED Driver 120-277V, Optional 480V
- CRI LED Aluminum Substrate Board
- 30K, 40K, 50K or 65K LED Color Options
- Photocell Included

APPLICATIONS

- General Area Lighting
- Walkways, Parking, Roadway, Area
- Schools, Commercial Buildings, Communities
- Street Lighting, Car Lots, Campuses

ELECTRICAL

- 120-277V 50/60Hz
- Optional 480V 50/60Hz
- 100 Watts; 14,500 Lumens
- 150 Watts; 21,750 Lumens

INSTALLATION

- Conduit By Others

CERTIFICATIONS/LISTINGS

- UL Listed
- Listed for Wet Locations

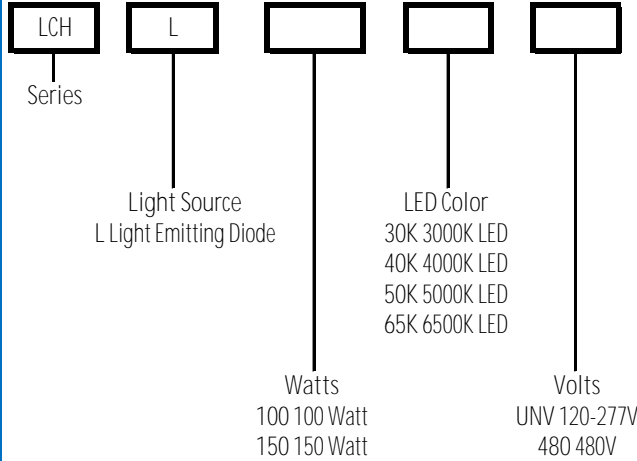


PROJECT _____ TYPE _____

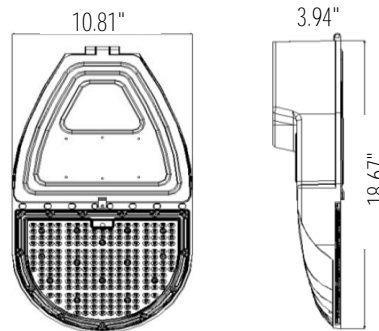
QTY _____ NOTES _____ APPROVAL _____

ORDERING/SPECIFYING INFORMATION:

EXAMPLE: LCH L 150 40K UNV



SPECIFICATIONS



OPTIONS/ACCESSORIES

Specifications Subject to Change

