

# CHL LED Series

# LED Channel Lensed



CHL LED Series

### SPECIFICATIONS

- Heavy Gauge Cold Rolled Steel Housing
- Baked White Enamel Finish
- Acrylic Lens
- CRI LED Light Engine
- Universal Volt LED Driver 120-277V
- 4K or 5K LED Color Options
- 4 Foot or 8 Foot Sections
- Optional Linear Connection Kit
- Optional Dimming

### APPLICATIONS

- General Area Lighting
- Schools, General Commercial, Retail, Hospitals
- Warehouses Industrial, Storage Areas

### ELECTRICAL

- 120-277V; 50/60Hz
- 23 Watts; 3,013 Lumens (4')
- 32 Watts; 4,224 Lumens (4')
- 46 Watts; 6,026 Lumens (4')
- 46 Watts; 6,026 Lumens (4')
- 46 Watts; 6,000 Lumens (8')
- 65 Watts; 8,500 Lumens (8')
- 75 Watts; 9,750 Lumens (8')
- 90 Watts; 11,700 Lumens (8')

### INSTALLATION

- Surface, Chain or Pendant Mount  
(Conduit by Others)

### CERTIFICATIONS/LISTINGS

- UL Listed
- Listed for Damp Locations

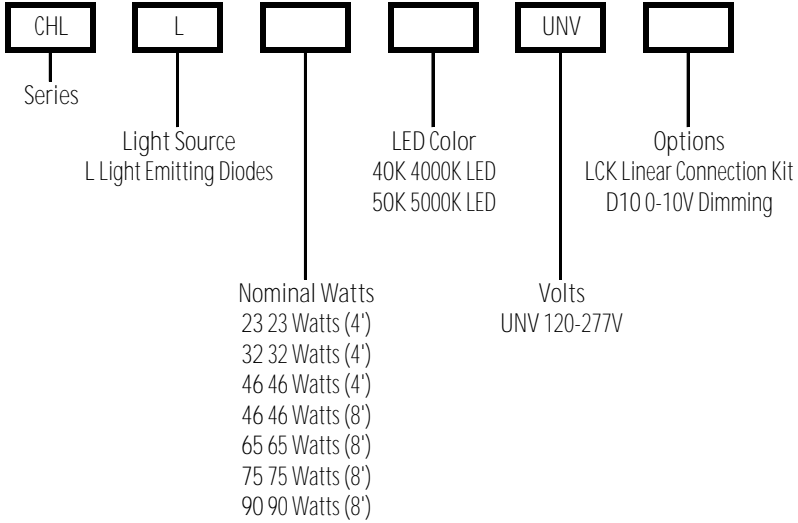


PROJECT \_\_\_\_\_ TYPE \_\_\_\_\_

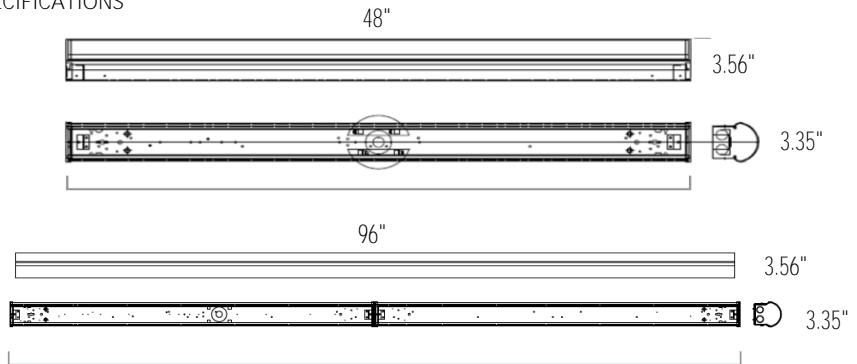
QTY \_\_\_\_\_ NOTES \_\_\_\_\_ APPROVAL \_\_\_\_\_

ORDERING/SPECIFYING INFORMATION:

EXAMPLE: CHL L 23 40K UNV



### SPECIFICATIONS



### OPTIONS/ACCESSORIES

LCK Linear Connection Kit



Specifications Subject to Change

