

BVT LED Series

LED Beta Volumetric Troffer



BVT LED Series

SPECIFICATIONS

- Heavy Gauge Cold Rolled Steel Housing
- Single Center Basket Lens with White Sidewalls
- Available in 2' x 2' or 2' x 4'
- CRI LED Light Engine 80 +
- Universal Volt LED Driver 120-277V
- 30K, 35K, 40K or 50K LED Color Options
- Optional Dimming
- Optional Flange Kit

APPLICATIONS

- General Area Lighting
- Schools, Conference Rooms, Retail, Hospitals
- Corridors, Offices, Foyer, Healthcare

ELECTRICAL

- 120-277V; 50/60Hz
- 2'x2' 30 Watts; 3,709 Lumens; 3000K or 3500K
- 2'x2' 30 Watts; 3,766 Lumens; 4000K
- 2'x2' 30 Watts; 3,823 Lumens; 5000K
- 2'x4' 40 Watts; 4,854 Lumens; 3000K or 3500K
- 2'x4' 40 Watts; 4,945 Lumens; 4000K
- 2'x4' 40 Watts; 5,036 Lumens; 5000K

INSTALLATION

- Recessed Mount

CERTIFICATIONS/LISTINGS

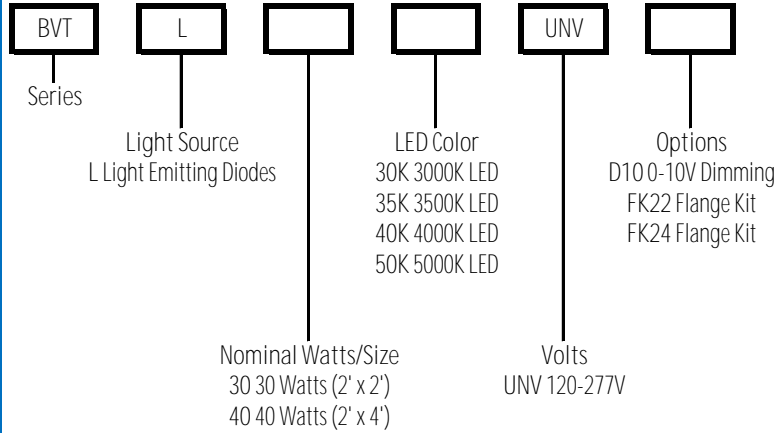
- UL Listed
- DLC Listed
- Listed for Damp Locations



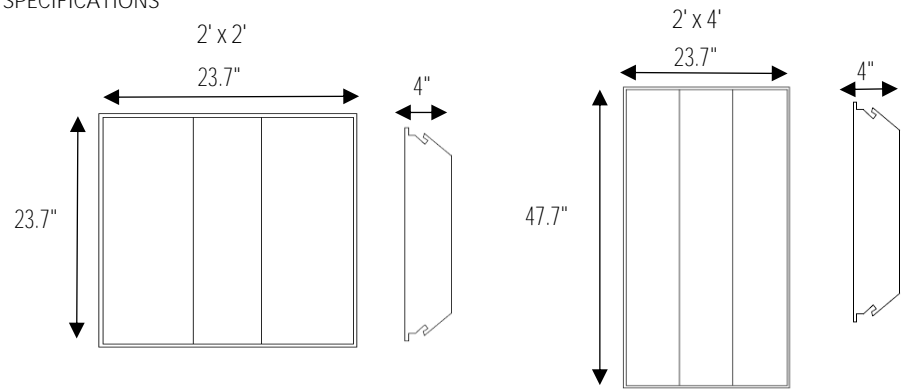
PROJECT _____ TYPE _____
 QTY _____ NOTES _____ APPROVAL _____

ORDERING/SPECIFYING INFORMATION:

EXAMPLE: BVT L 40 40K UNV



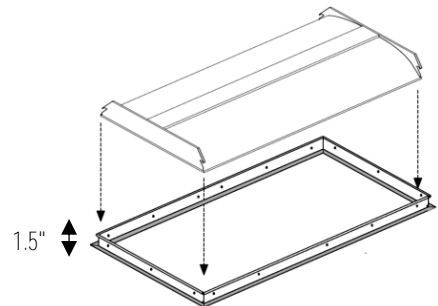
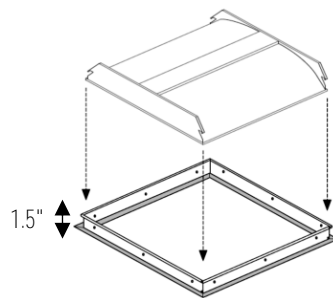
SPECIFICATIONS



OPTIONS/ACCESSORIES

FK22 Flange Kit

FK24 Flange Kit



Specifications Subject to Change

