

ALXL LED Series

LED Extra Large Square Area Light



ALXL LED Series

SPECIFICATIONS

- Die Cast Aluminum Housing
- Tempered Flat Clear Glass Lens
- Uniformed Poured Silicone Gasket
- Bronze Powder Coat Finish, Optional Custom Color
- CRI LED Aluminum Substrate Board
- Universal Volt LED Driver 120-277V, Optional 480V
- 3K, 4K or 5K LED Color Options
- Optional Surge Protection
- Optional Wire Guard or Glare Shield

APPLICATIONS

- General Area/Pathway Lighting
- Walkways, Parking, Roadway, Area
- Schools, Commercial Buildings, Communities
- Street Lighting, Car Lots, Campuses

ELECTRICAL

- 120-277V 50/60Hz
- Optional 480V 50/60Hz
- 186 Watts; 17,098 Lumens

INSTALLATION

- Mounts with 6" Arm (Round/ Square) for Direct Pole Mount or to Slip Fitter or Mounts with Adjustable Slip Fitter, U-Bracket or Yoke Mount.

CERTIFICATIONS/LISTINGS

- CSA Listed
- IP65
- Listed for Wet Locations

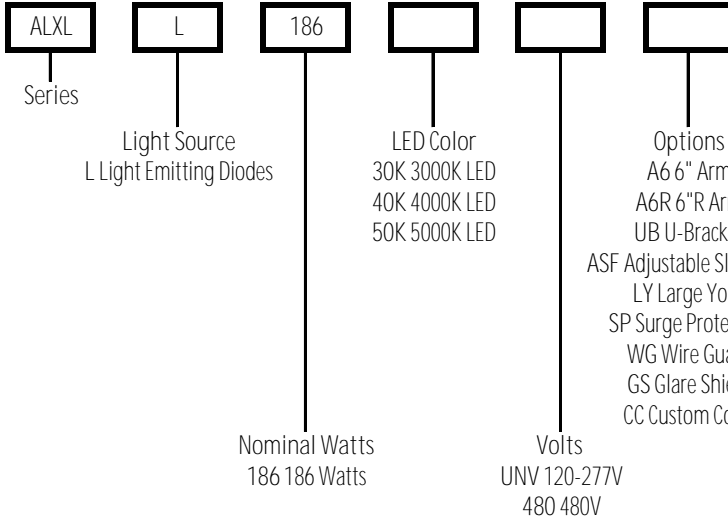


PROJECT _____ TYPE _____

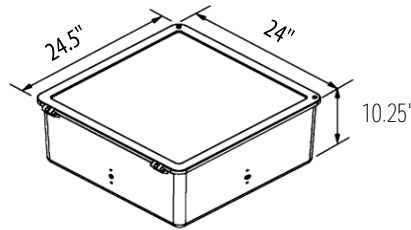
QTY _____ NOTES _____ APPROVAL _____

ORDERING/SPECIFYING INFORMATION:

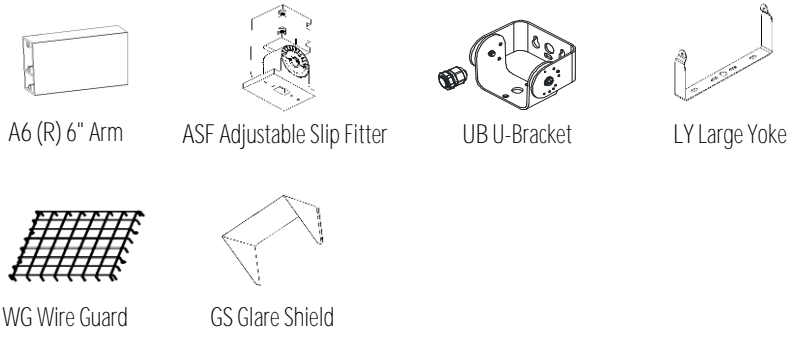
EXAMPLE: ALXL 186 50K UNV



SPECIFICATIONS



OPTIONS/ACCESSORIES



Specifications Subject to Change

