

AL25/AL26 LED Series

LED Area Light



AL25/AL26 LED Series

SPECIFICATIONS

- Spun Aluminum Housing
- Prismatic or Glass Refractor
- Bronze, Black or Gray Powder Coat Finish, Optional Custom Color
- CRI LED COB
- Universal Volt LED Electronic Driver 120-277V
- 3K, 4K or 5K LED Color Options
- Porcelain Medium 4KV or Mogul 5KV Base Socket
- Weather Proof Construction
- Optional Photocell
- Optional House Side Shield

APPLICATIONS

- General Area Lighting
- Walkways, Parking, Roadway, Area
- Schools, Commercial Buildings, Communities
- Street Lighting, Car Lots, Campuses

ELECTRICAL

- 120-277V: LED 36W, 45W & 54W

INSTALLATION

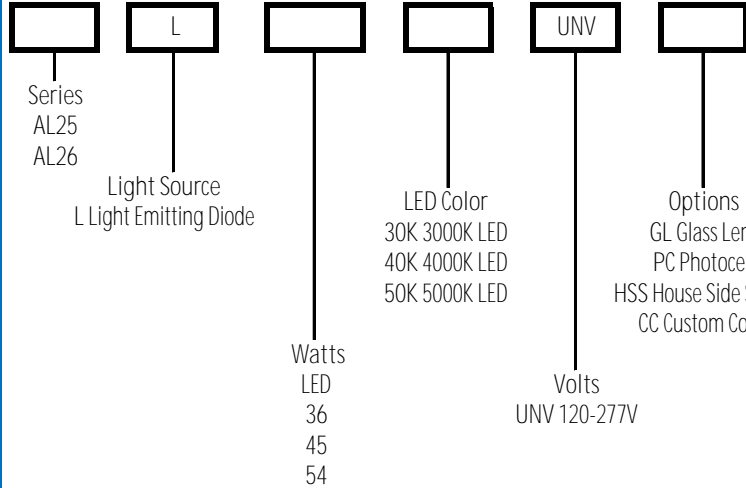
- Pole Mount, Fits 2 3/8" to 3" Pole or Tenon

PROJECT _____ TYPE _____

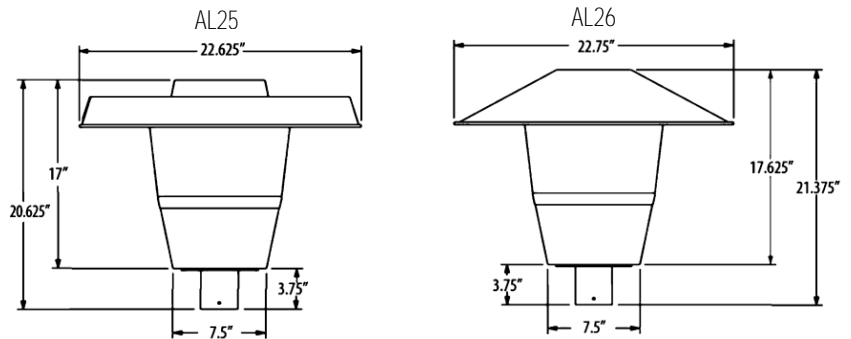
QTY _____ NOTES _____ APPROVAL _____

ORDERING/SPECIFYING INFORMATION:

EXAMPLE: AL25 L 45 40K UNV



SPECIFICATIONS



OPTIONS/ACCESSORIES



Specifications Subject to Change