



TSF LED Series

SPECIFICATIONS

- Die Cast Aluminum Housing
- Tempered Clear Flat Glass Lens
- White Reflector
- Bronze Powder Coat Finish, Optional Custom Color
- CRI LED COB
- Universal Volt LED COB 120-277V
- 41K LED Color
- Stainless Steel Hardware
- Optional Surge Protection
- Optional Dimming

APPLICATIONS

- General Area/Flood Lighting
- Walkways, Parking, Roadway, Area
- Schools, Commercial Buildings, Communities
- Street Lighting, Car Lots, Campuses

ELECTRICAL

- 120-277V; 50/60Hz
- 20 Watt COB; 2,300 Lumens
- 40 Watt COB; 4,025 Lumens

INSTALLATION

- Mounts with 1/2" Threaded Knuckle (Field Installed)

CERTIFICATIONS/LISTINGS

- CSA Listed
- IP66
- Listed for Wet Locations

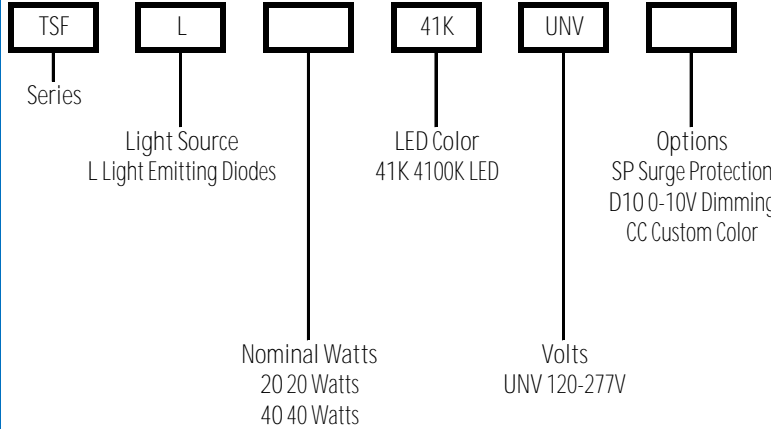


PROJECT _____ TYPE _____

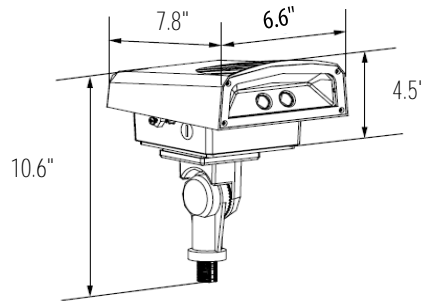
QTY _____ NOTES _____ APPROVAL _____

ORDERING/SPECIFYING INFORMATION:

EXAMPLE: TSF L 20 41K UNV



SPECIFICATIONS



OPTIONS/ACCESSORIES

Specifications Subject to Change

