

# S200MLTAC4M

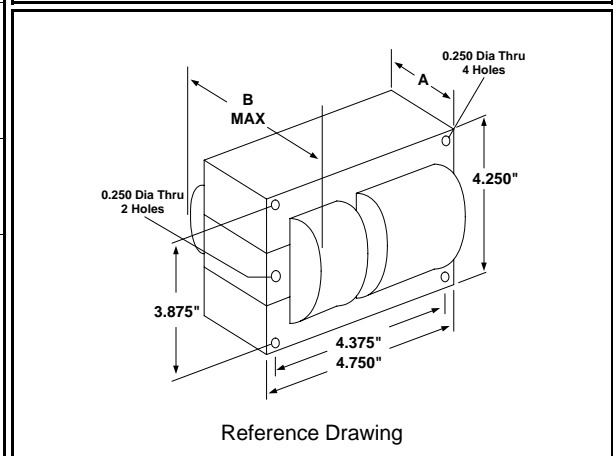
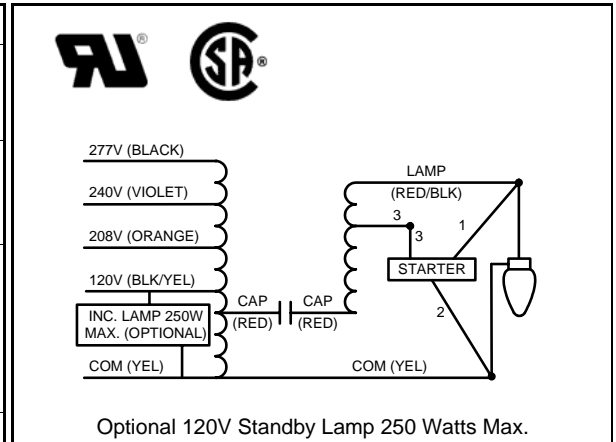
200W S66

High Pressure Sodium

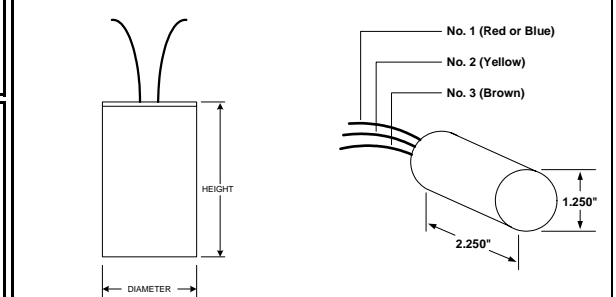
60Hz CWA

## Specification Sheet

<b>Input Volts</b>	120	208	240	277
<b>Regulation</b>				
Line Volts	±10%	±10%	±10%	±10%
Lamp Watts	±10%	±10%	±10%	±10%
Power Factor (min)	90%	90%	90%	90%
Input Watts	240 W	240 W	240 W	240 W
NOM. Open Circuit Voltage	175 V	175 V	175 V	175 V
<b>Line Current (Amps)</b>				
Operating	2.10	1.20	1.00	0.88
Open Circuit	0.78	0.50	0.40	0.34
Starting	1.30	0.75	0.64	0.56
Recommended Fuse (Amps)	7	4	4	4
Lamp Dropout Voltage (Line)	75 V	130 V	150 V	180 V
<b>UL Temperature Ratings</b>				
Insulation Class	H (180°C)	H (180°C)	H (180°C)	H (180°C)
Temperature Code	B	B	B	B
MIN. Starting Temperature	-40°F -40°C	-40°F -40°C	-40°F -40°C	-40°F -40°C
<b>CAPACITOR Specifications</b>				
Microfarads	28 uf	28 uf	28 uf	28 uf
Volts (min.)	280 V	280 V	280 V	280 V
<b>60Hz Test Procedures</b>				
High Potential Test 1 Minute	2000 V	2000 V	2000 V	2000 V
High Potential Test 1 Second	2500 V	2500 V	2500 V	2500 V
Secondary Open Ckt Voltage (V)	165 - 185	165 - 185	165 - 185	165 - 185
Secondary Current Shorted (A)	3.00 - 4.00	3.00 - 4.00	3.00 - 4.00	3.00 - 4.00
Input Operating Current (A)	1.82 - 2.22	1.09 - 1.33	0.91 - 1.11	0.80 - 0.98
Input Open Circuit Current (A)	0.39 - 1.12	0.25 - 0.72	0.20 - 0.57	0.17 - 0.49
Input Short Circuit Current (A)	0.79 - 1.47	0.46 - 0.85	0.39 - 0.72	0.35 - 0.65
<b>Core and Coil Specifications</b>				
Dimension A	1.20 in	1.20 in	1.20 in	1.20 in
Dimension B	3.00 in	3.00 in	3.00 in	3.00 in
Weight	8.50 lbs	8.50 lbs	8.50 lbs	8.50 lbs
Lead Lengths (inches)	12-14	12-14	12-14	12-14
Coil Material (Pri. / Sec.):	Cu / Cu	Cu / Cu	Cu / Cu	Cu / Cu



<b>Capacitor: R17058530</b>	<b>Ignitor: HPS400-3A</b>
Max Case Temp: 100 °C	Max Case Temp 105 °C
Height: 4.76 in	BTL: 10 ft
Width / Diameter: 1.65 in	



No. 1 (Red or Blue)  
No. 2 (Yellow)  
No. 3 (Brown)

DIAMETER  
HEIGHT  
1.250"  
2.250"

Oil Cap. - P/N 005-1468-MF Consult Catalog for Specs.

Document #:	010-9757-04
Date:	10/12/2012
Status:	Production
Replaces Catalog #:	1230-190

Data is based upon tests performed by Universal Lighting Technologies in a controlled environment and is representative of relative performance. Actual performance may vary depending on operating conditions. Specifications are subject to change without notice.

**Universal Lighting Technologies**

26 Century Blvd. Suite 500 - Nashville, TN 37214

Phone 1-800-225-5278 Fax 1-800-206-0035

www.unvlt.com

10/11/2012