

P400ML5AC4L

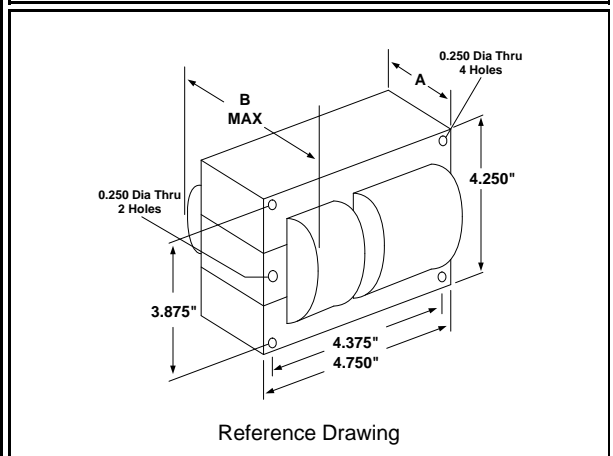
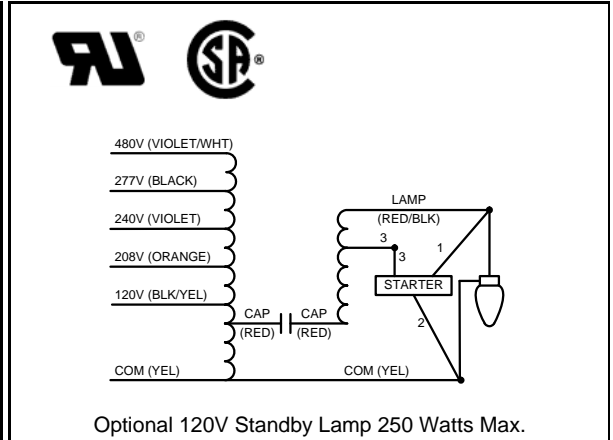
400W M155/M135 / M128/M172

Pulse Start Metal Halide

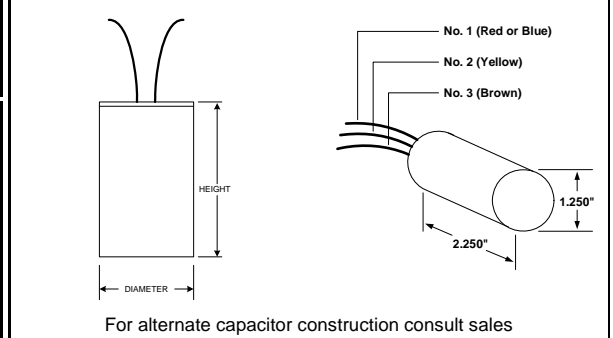
60Hz CWA

Specification Sheet

Input Volts	120	208	240	277	480
Regulation					
Line Volts	±10%	±10%	±10%	±10%	±10%
Lamp Watts	±10%	±10%	±10%	±10%	±10%
Power Factor (min)	90%	90%	90%	90%	90%
Input Watts	454 W	454 W	454 W	454 W	454 W
NOM. Open Circuit Voltage	280 V	280 V	280 V	280 V	280 V
Line Current (Amps)					
Operating	3.90	2.25	1.90	1.65	0.95
Open Circuit	2.80	1.55	1.40	1.25	0.70
Starting	2.60	1.50	1.30	1.15	0.65
Recommended Fuse (Amps)	10	7	5	5	3
Lamp Dropout Voltage (Line)	60 V	100 V	120 V	135 V	240 V
UL Temperature Ratings					
Insulation Class	H (180°C)	H (180°C)	H (180°C)	H (180°C)	H (180°C)
Temperature Code	C	D	C	C	D
MIN. Starting Temperature	-22°F -30°C	-22°F -30°C	-22°F -30°C	-22°F -30°C	-22°F -30°C
CAPACITOR Specifications					
Microfarads	26 uf	26 uf	26 uf	26 uf	26 uf
Volts (min.)	330 V	330 V	330 V	330 V	330 V
60Hz Test Procedures					
High Potential Test 1 Minute	2000 V	2000 V	2000 V	2000 V	2000 V
High Potential Test 1 Second	2500 V	2500 V	2500 V	2500 V	2500 V
Secondary Open Ckt Voltage (V)	250 - 310	250 - 310	250 - 310	250 - 310	250 - 310
Secondary Current Shorted (A)	3.55 - 4.30	3.55 - 4.30	3.55 - 4.30	3.55 - 4.30	3.55 - 4.30
Input Operating Current (A)	3.40 - 4.30	2.00 - 2.50	1.70 - 2.15	1.45 - 1.85	0.85 - 1.10
Input Open Circuit Current (A)	1.40 - 4.00	0.80 - 2.10	0.70 - 2.00	0.65 - 1.80	0.40 - 1.00
Input Short Circuit Current (A)	1.80 - 3.40	1.00 - 1.90	0.90 - 1.70	0.80 - 1.45	0.45 - 0.85
Core and Coil Specifications					
Dimension A	2.35 in	2.35 in	2.35 in	2.35 in	2.35 in
Dimension B	4.25 in	4.25 in	4.25 in	4.25 in	4.25 in
Weight	12 lbs	12 lbs	12 lbs	12 lbs	12 lbs
Lead Lengths (inches)	12-14	12-14	12-14	12-14	12-14
Coil Material (Pri. / Sec.):	Cu / Al	Cu / Al	Cu / Al	Cu / Al	Cu / Al



Capacitor: R17058597	Ignitor: MH350-1A
Max Case Temp: 100 °C	Max Case Temp: 105 °C
Height: 3.82 in	BTL: 10 ft
Width / Diameter: 1.85 in	



For alternate capacitor construction consult sales

Document #:	010-13497-01
Date:	2/20/2017
Status:	Production
Replaces Catalog #:	New Design

Data is based upon tests performed by Universal Lighting Technologies in a controlled environment and is representative of relative performance. Actual performance may vary depending on operating conditions. Specifications are subject to change without notice.