

# P200ML5AC3M

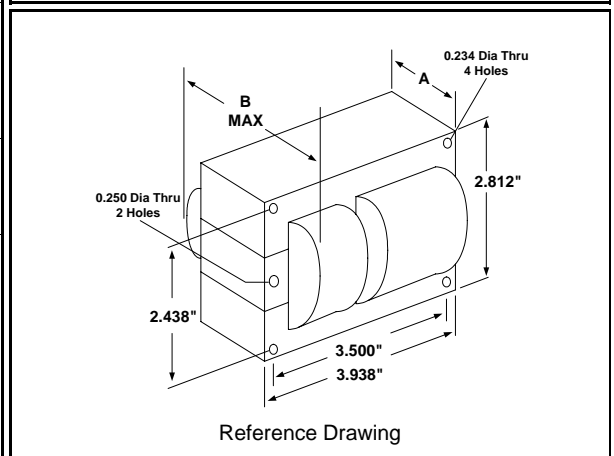
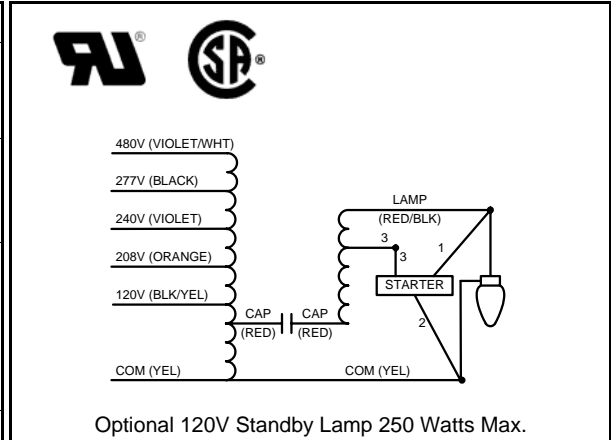
200W M136

Pulse Start Metal Halide

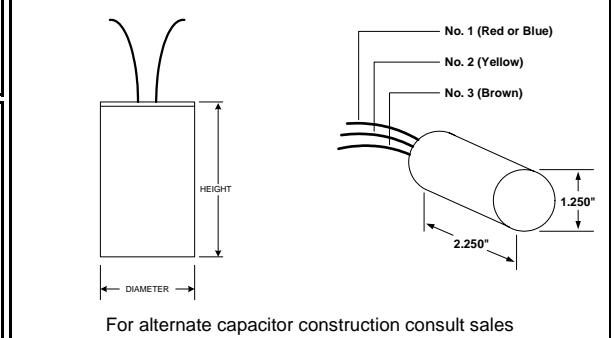
60Hz CWA

## Specification Sheet

<b>Input Volts</b>	120	208	240	277	480
<b>Regulation</b>					
Line Volts	±10%	±10%	±10%	±10%	±10%
Lamp Watts	±10%	±10%	±10%	±10%	±10%
Power Factor (min)	90%	90%	90%	90%	90%
Input Watts	233 W	233 W	233 W	233 W	233 W
NOM. Open Circuit Voltage	303 V	303 V	303 V	303 V	303 V
<b>Line Current (Amps)</b>					
Operating	2.08	1.16	1.00	0.88	0.50
Open Circuit	2.66	1.52	1.31	1.12	0.68
Starting	0.76	0.50	0.40	0.35	0.25
Recommended Fuse (Amps)	6	4	3	3	2
Lamp Dropout Voltage (Line)	55 V	86 V	105 V	130 V	220 V
<b>UL Temperature Ratings</b>					
Insulation Class	H (180°C)	H (180°C)	H (180°C)	H (180°C)	H (180°C)
Temperature Code	C	C	C	C	C
MIN. Starting Temperature	-22°F -30°C	-22°F -30°C	-22°F -30°C	-22°F -30°C	-22°F -30°C
<b>CAPACITOR Specifications</b>					
Microfarads	11 uf	11 uf	11 uf	11 uf	11 uf
Volts (min.)	400 V	400 V	400 V	400 V	400 V
<b>60Hz Test Procedures</b>					
High Potential Test 1 Minute	2000 V	2000 V	2000 V	2000 V	2000 V
High Potential Test 1 Second	2500 V	2500 V	2500 V	2500 V	2500 V
Secondary Open Ckt Voltage (V)	285 - 321	285 - 321	285 - 321	285 - 321	285 - 321
Secondary Current Shorted (A)	1.70 - 2.08	1.70 - 2.08	1.70 - 2.08	1.70 - 2.08	1.70 - 2.08
Input Operating Current (A)	1.89 - 2.31	1.06 - 1.29	0.91 - 1.11	0.80 - 0.98	0.46 - 0.56
Input Open Circuit Current (A)	1.33 - 3.80	0.76 - 2.17	0.66 - 1.87	0.56 - 1.60	0.34 - 0.97
Input Short Circuit Current (A)	0.44 - 0.68	0.30 - 0.45	0.28 - 0.42	0.26 - 0.40	0.25 - 0.38
<b>Core and Coil Specifications</b>					
Dimension A	2.75 in	2.75 in	2.75 in	2.75 in	2.75 in
Dimension B	4.30 in	4.30 in	4.30 in	4.30 in	4.30 in
Weight	8.0 lbs	8.0 lbs	8.0 lbs	8.0 lbs	8.0 lbs
Lead Lengths (inches)	12-14	12-14	12-14	12-14	12-14
Coil Material (Pri. / Sec.):	Cu / Cu	Cu / Cu	Cu / Cu	Cu / Cu	Cu / Cu



<b>Capacitor: R17058558</b>	<b>Ignitor: MH350-1A</b>
Max Case Temp: 100 °C	Max Case Temp: 105 °C
Height: 2.83 in	BTL: 10 ft
Width / Diameter: 1.65 in	



For alternate capacitor construction consult sales

Document #:	010-10320-05
Date:	11/5/2010
Status:	Production
Replaces Catalog #:	New Design

Data is based upon tests performed by Universal Lighting Technologies in a controlled environment and is representative of relative performance. Actual performance may vary depending on operating conditions. Specifications are subject to change without notice.

**Universal Lighting Technologies**

26 Century Blvd. Suite 500 - Nashville, TN 37214

Phone 1-800-225-5278 Fax 1-800-206-0035

www.unvlt.com

11/3/2010