

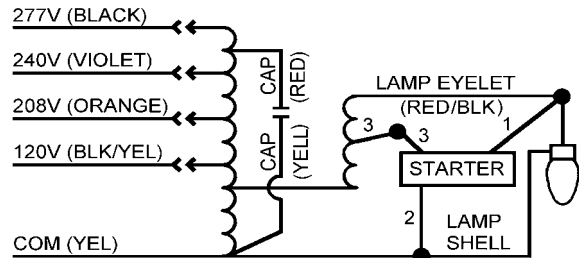
# Specification Sheet

**Catalog Number:** M35MLTLC3M  
**Document #:** 010-9721-02  
**Date:** 7/10/2003

**39W METAL HALIDE**

Lamp Type	39W MH
ANSI Designation	M130
Line Voltage	120/208/240/277
Regulation	5%
Frequency	60 HZ
Recommended Fuse	2/1/1/1
Circuit Type	HX-HPF
Insulation Class	180 C
Capacitor Value	5 MF
Capacitor Volt Rating	277 VOLTS
Capacitor Part Number	005-4051-P
Lamp Starter	MH100-3A

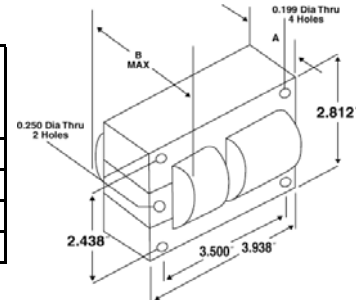
Replaces Catalog #	New Product
Samples Available	Yes
Production Available	Yes
Agency Certification	UL & CSA
Maximum Distance to Lamp	5 Ft.



**FEATURES:** Utilizes Precise-Wound Coils

### Electrical Characteristics

Line Volt	Power Factor	Line Current in Amps			Input Watts	Open Circuit Volts	Drop Out Volts	Min. Start Temp.	UL Temp. Code
		Oprtnng	Open	Start					
120	High	0.50	0.82	0.53	50	230	90	-30°C	A
208	High	0.30	0.48	0.31	50	230	150	-30°C	A
240	High	0.27	0.42	0.28	50	230	175	-30°C	A
277	High	0.22	0.36	0.23	50	230	208	-30°C	A



Reference Drawing

### Test Limits

Line Volt	Power Factor	Line Current, Amps						Open Circuit Voltage (V)		Short Circuit Current (A)	
		Operating		Open		Short		Min.	Max.	Min.	Max.
120	High	0.46	0.56	0.41	1.17	0.42	0.65	220	245	0.50	0.80
208	High	0.27	0.33	0.24	0.69	0.19	0.40	220	245	0.50	0.80
240	High	0.25	0.30	0.21	0.60	0.17	0.38	220	245	0.50	0.80
277	High	0.20	0.24	0.18	0.51	0.15	0.35	220	245	0.50	0.80

### Physical Characteristics

Overall Dimensions, Inches			Over Coils	Mounting Holes (In.)			Bracket Mntng Dim		Capacitor Dim.		Ballast Net Weight	Lead Length Inches
Length	Height	Stack		Diam	Length	Width	Length	Width	Dia.	Length		
3.94	2.81	0.85	2.0 Max	0.25	3.50	2.44	-	-	1.20	2.70	1.70	12-14

Application and Performance Specification Information Subject to Change without Notification.  
 For samples, contact your Universal Lighting Technologies Representative.