

## Photocontrol - ANSI C136.10 Locking Type NEMA Receptacle, (9" lead), gasket included

Item K121



### PRODUCT DESCRIPTION

The K121 NEMA receptacles provide the connector interface for locking type photocontrols. They can be installed in the light fixture itself (K121), or attached externally with the use of a mounting bracket (K122).

### FEATURES

- ▶ NEMA receptacle with 3-prong sockets
- ▶ Compliant to ANSI C136.10 specifications

### APPLICATIONS

- ▶ Parking Lots
- ▶ Landscape Lighting
- ▶ Exterior Lighting
- ▶ Pedestrian Pathway Lighting
- ▶ Street Lighting

### TECHNICAL DATA

#### General

Model Number	K121
Description	ANSI C136.10 Locking Type NEMA Receptacle, (9" lead), gasket included
UPC Code	078275045408
Brand	Intermatic
Country of Origin (Intermatic)	CHINA
Warranty	1-Year limited

#### Dimensions

Product Height (in)	1.52
Product Height (mm)	38.6
Product Diameter (in)	2.55
Product Diameter (mm)	64.7

#### Material Specifications

Color	Black
Base Material	Phenolic
Power Contacts Material	Brass/Phosphor Bronze
Gasket	(Integrated) Thermal Elastomer
Wire Leads	#14 AWG, 105°C, AWM3321

#### Electrical Specifications

Power Contacts Rating	480 V max, 15 A max
-----------------------	---------------------

#### Packaging

Shipping Weight (lbs)	0.201
Unit Carton Height (in)	4.381

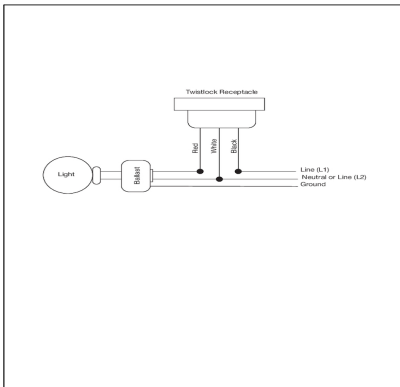
#### Environmental Specifications

Temperature (operation) -40°C..80°C

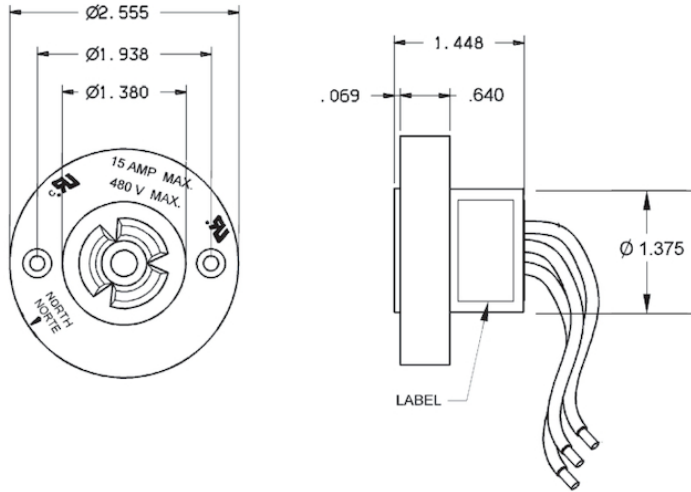
**Standards and Certifications**

Other Certifications and Compatibilities	cRUus
California Proposition 65	DEHP
RoHS Certification	Yes

## DIAGRAMS



## DIMENSIONAL DRAWINGS



---

## ACCESSORIES



K121-GSKT  
Gasket for K121