



DESCRIPTION

The **I-26-EM-A** from IOTA Engineering is a UL Listed fluorescent emergency ballast that allows the same fixture to be used for both normal and emergency operation. In the event of a power failure, the **I-26-EM-A** switches to the emergency mode and operates **one** of the existing lamps for **90 minutes**. The unit contains a battery, charger, and inverter circuit in a single can. The **I-26-EM-A** can be used with most 18 & 26 Watt quad tube **2-pin** compact fluorescent lamps, with an initial output of up to **650 lumens** for one lamp. The **I-26-EM-A** features a dual flex design for connecting wiring to the junction box and test accessories, and is suitable for use in damp locations.

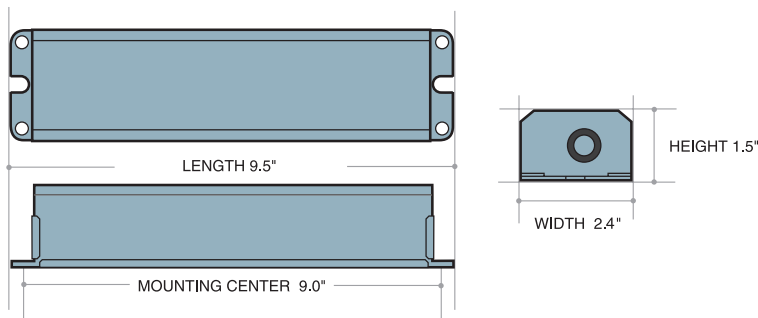
SPECIFICATIONS

Input Voltage	(Dual) 120/277V, 60Hz
Input Wattage	3.5 Watts
Lamps Operated	18 & 26 Watt quad tube 2-Pin lamps with integral starter
Emergency Operation	90 minutes
Initial Illumination	(1) lamp 650 lumens
Operating Temp	0° to 50° C
Battery	24 Hour Recharge 7-10 Year Life Expectancy
Weight	4.4 lbs.
Approval	UL and CUL Listed



DIMENSIONS

9.5" x 2.4" x 1.5" (mounting center 9.0")



INITIAL LUMEN OUTPUT

650 Lumens

LAMPS OPERATED*



(1) 18 or 26 Watt Twin Tube **2-PIN** with integral starter

*Refer to Lumen Reference Chart for list of compatible lamps

FEATURES

- Will cold start and operate all specified lamps
- Long life high temperature recyclable Ni-Cad battery
- Galvanized steel case
- Includes test switch and charge indicator accessory kit
- For use with switched or unswitched fixtures
- **5-Year Warranty.** See Warranty Page for details.
- Rated for use in damp locations and plenum fixtures
- Meets or exceeds all NEC, IBC, and Life Safety Code Emergency Lighting Requirements
- RoHS Compliant
- International Voltage Models available

FLUORESCENT

COMPACT



I-26-EM-A

FLUORESCENT EMERGENCY BALLAST FOR 2-PIN LAMPS

OPTIONS

TEST KIT CONFIGURATION

- TWO-PIECE TEST SWITCH AND CHARGE INDICATOR

MOUNTING CONFIGURATION

- EM-A

VOLTAGE RATINGS

- 120/277V 60HZ (STANDARD)
- 220V 50HZ
- 240V 60HZ
- 120V 50HZ

INITIAL LUMEN RATINGS

LAMP	1 LAMP
18W PL CF 2-pin	550
26W PL CF 2-pin	650

REMOTE MOUNTING

When battery packs are remote mounted, consult Customer Service for the maximum allowable distance between the battery pack and lamp(s).