

# WFLD Series

# Large Deep Full Cut Off Wall Pack



WFLD Series

### SPECIFICATIONS

- Die Cast Aluminum Housing
- Tempered Clear Flat Glass Lens
- Full Cut Off Front Frame
- Internal Aluminum Reflector
- Bronze Powder Coat Finish, Optional Custom Color
- HID Porcelain Mogul Base 5KV Socket
- Stainless Steel Hardware
- Multiple Light Source Options
- Skylight Friendly
- Optional Photocell
- Optional Surge Protection
- Optional Wire Guard or Vandal Guard

### APPLICATIONS

- General Area, Facade Lighting, Entry Lighting
- Platforms, Walkways, Parking, Tunnels
- Schools and Universities
- Commercial, Warehouse, Industrial Facilities

### ELECTRICAL

- Quad Volt: HPS 100W, 150W, 250W & 400W, MH 100W & 150W, PMH 250W, 320W & 400W
- 480V: HPS 100W, 150W, 250W & 400W, MH 100W & 150W, PMH 250W, 320W & 400W

### INSTALLATION

- Mounts Over Recessed Box or with Surface Conduit

### CERTIFICATIONS/LISTINGS

- CSA Listed
- Listed for Wet Locations

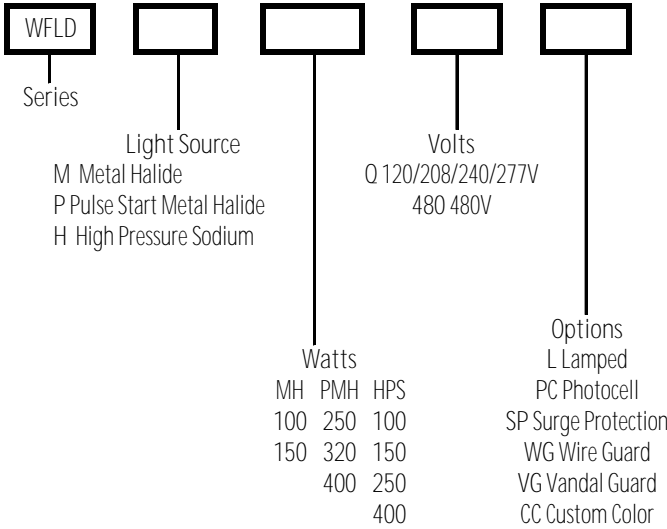


PROJECT \_\_\_\_\_ TYPE \_\_\_\_\_

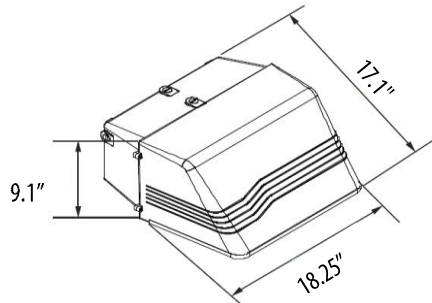
QTY \_\_\_\_\_ NOTES \_\_\_\_\_ APPROVAL \_\_\_\_\_

ORDERING/SPECIFYING INFORMATION:

EXAMPLE: WFLD M 100 Q



### SPECIFICATIONS



### OPTIONS/ACCESSORIES



WG Wire Guard



VG Vandal Guard

Specifications Subject to Change

