



WAL LED Series

SPECIFICATIONS

- Die Cast Aluminum Housing
- Borosilicate Molded Glass Lens
- Bronze Powder Coat Finish, Optional Custom Color
- CRI LED Aluminum Substrate Board
- Universal Volt LED Driver 120-277V, Optional 480V
- 3K, 4K or 5K LED Color Options
- Optional Emergency Battery
- Optional Surge Protection
- Optional Dimming
- Optional Wire Guard
- Optional Photocell

APPLICATIONS

- General Area, Facade Lighting, Entry Lighting
- Platforms, Walkways, Parking, Tunnels
- Schools and Universities
- Commercial, Warehouse, Industrial Facilities

ELECTRICAL

- 120-277V; 50/60Hz
- Optional 480V; 50/60Hz
- 58 Watts; 4,944 Lumens

INSTALLATION

- Mounts Over Recessed Box or with Surface Conduit

CERTIFICATIONS/LISTINGS

- CSA Listed
- IP65
- Listed for Wet Locations



PROJECT _____ TYPE _____

QTY _____ NOTES _____ APPROVAL _____

ORDERING/SPECIFYING INFORMATION:

EXAMPLE: WAL L 58 40K UNV



Series

Light Source
L Light Emitting Diodes

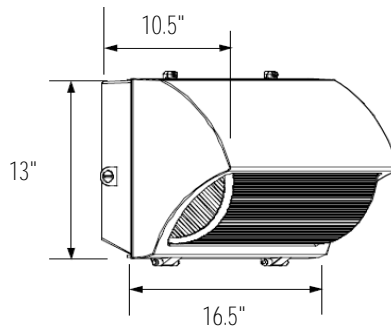
LED Color
30K 3000K LED
40K 4000K LED
50K 5000K LED

Nominal Watts
58 58 Watts

Volts
UNV 120-277V
480 480V

Options
EM 90 Min Battery
SP Surge Protection
D10 0-10V Dimming
PC Photocell
WG Wire Guard
CC Custom Color

SPECIFICATIONS



OPTIONS/ACCESSORIES



WG Wire Guard

Specifications Subject to Change

