



WA LED Series

**SPECIFICATIONS**

- Heavy Gauge Cold Rolled Steel Housing with White Polyester Powder Coat
- Prismatic Acrylic Lens
- CRI LED Light Engine
- Universal Volt LED Driver 120-277V
- 4K LED Color Option
- Optional Emergency Battery
- Optional Dimming

**APPLICATIONS**

- General Area Lighting
- Schools, General Commercial, Retail, Hospitals
- Offices, Conference Rooms, Storage Areas

**ELECTRICAL**

- 120-277V; 50/60Hz
- 32 Watts; 4,160 Lumens
- 34 Watts; 4,420 Lumens
- 36 Watts; 4,608 Lumens
- 40 Watts; 5,200 Lumens
- 42 Watts; 5,334 Lumens

**INSTALLATION**

- Surface Mount over Recessed Box or Pendant Mount (Conduit by Others)

**CERTIFICATIONS/LISTINGS**

- UL Listed
- Listed for Damp Locations

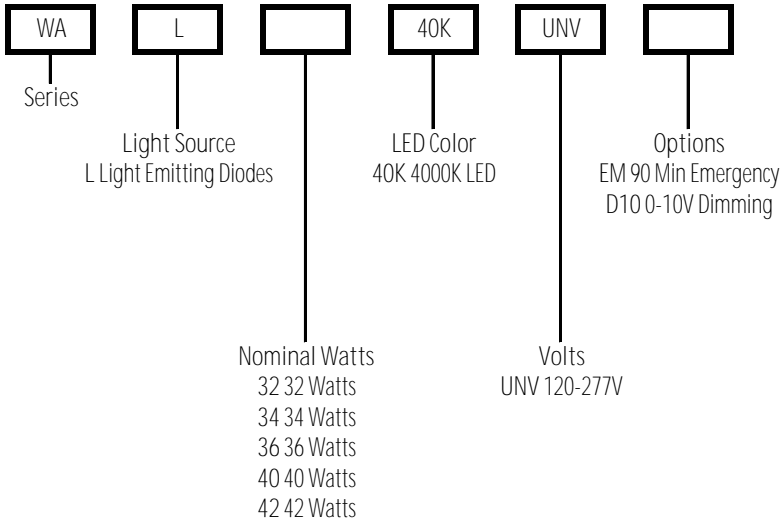


PROJECT \_\_\_\_\_ TYPE \_\_\_\_\_

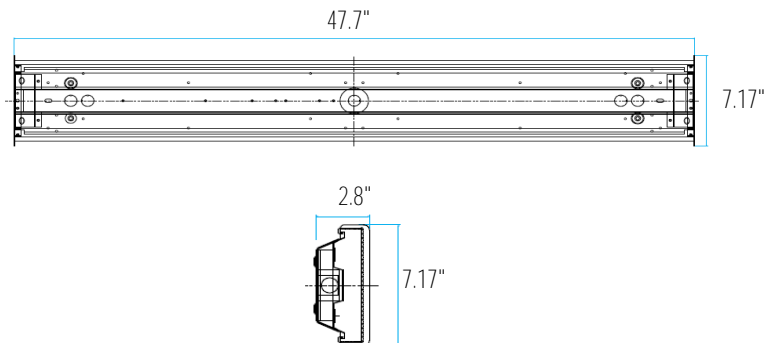
QTY \_\_\_\_\_ NOTES \_\_\_\_\_ APPROVAL \_\_\_\_\_

**ORDERING/SPECIFYING INFORMATION:**

EXAMPLE: WA L 36W 40K UNV



**SPECIFICATIONS**



**OPTIONS/ACCESSORIES**

*Specifications Subject to Change*

