

# VTR LED Series

# LED Vapor Tight/Rain Tight



VTR LED Series

### SPECIFICATIONS

- Polycarbonate Housing
- Polycarbonate Lens
- Polyester Powder Coat Finish
- Uniform Poured Silicone Gasket
- CRI LED Light Engine
- Universal Volt LED Driver 120-277V,
- 4K or 5K LED Color Options
- Stainless Steel Door Clips Included
- Standard V-Hooks Included for Hanging
- Multiple Knockouts for Pendant or Conduit
- Available in 48" and 96" Lengths
- Optional 90 Min Emergency
- Optional Dimming
- Optional Motion Sensor or Sensing Control

### APPLICATIONS

- General Lighting, Shops, Garages, Stairwells
- Mechanical Rooms, Retail, Industrial
- Canopies, Overhangs and Walkways
- Commercial, Industrial, Institutions

### ELECTRICAL

- 120-277V; 50/60Hz
- 4', 50 Watts; 5,750 Lumens
- 8', 100 Watts; 11,500 Lumens

### INSTALLATION

- Surface Mount or Pendant Mount  
(Conduit by Others)

### CERTIFICATIONS/LISTINGS

- UL Listed
- IP65
- Listed for Wet Locations (Without Sensors)

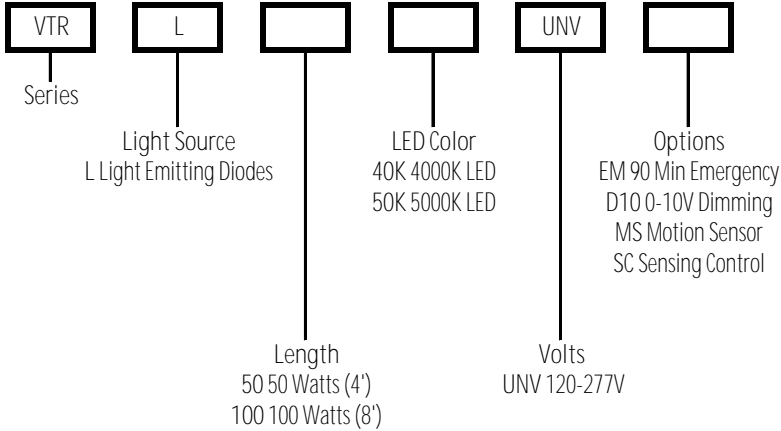


PROJECT \_\_\_\_\_ TYPE \_\_\_\_\_

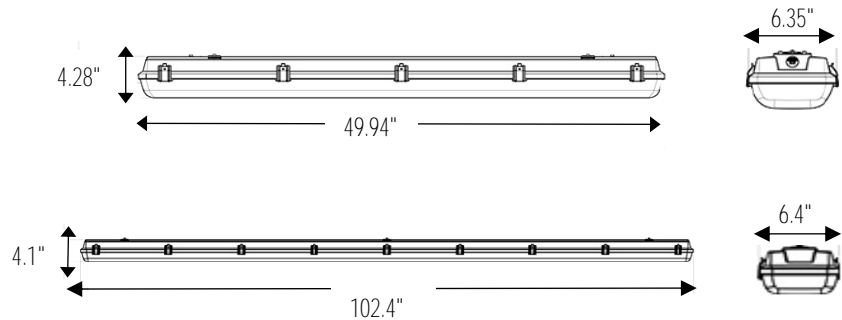
QTY \_\_\_\_\_ NOTES \_\_\_\_\_ APPROVAL \_\_\_\_\_

ORDERING/SPECIFYING INFORMATION:

EXAMPLE: VTR L 50 40K UNV



### SPECIFICATIONS



### OPTIONS/ACCESSORIES

Specifications Subject to Change

