



SS15 Series

**SPECIFICATIONS**

- Cast Brass Housing
- Weathered Brass Finish
- Convex Lens
- 1/2" NPS Threaded Adjustable Knuckle
- Halogen MR16 Bi-Pin Base Socket
- Optional Lamped

**APPLICATIONS**

- General Area Lighting/Landscape Lighting
- Security, Driveways, Pathways
- Walkways, Signs, Sidewalks

**ELECTRICAL**

- 12V Low Voltage

**INSTALLATION**

- Ground Mount; 1/2" NPS Threaded Knuckle

**CERTIFICATIONS/LISTINGS**

- ETL Listed
- Listed for Wet Locations

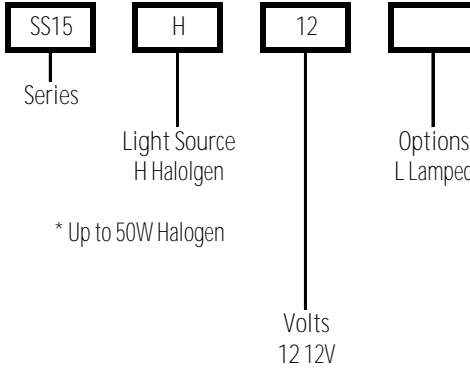


PROJECT \_\_\_\_\_ TYPE \_\_\_\_\_

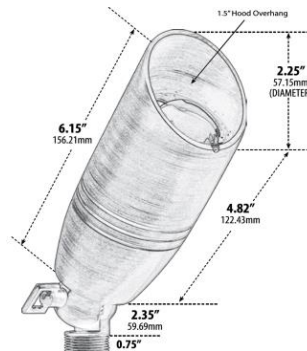
QTY \_\_\_\_\_ NOTES \_\_\_\_\_ APPROVAL \_\_\_\_\_

ORDERING/SPECIFYING INFORMATION:

EXAMPLE: SS15 H 12 L



**SPECIFICATIONS**



**OPTIONS/ACCESSORIES**

Specifications Subject to Change

