



SC LED Series

SPECIFICATIONS

- Aluminum Housing
- Molded UV-Resistant Clear Lens
- White Powder Coat Finish
- CRI LED Engine
- Universal Volt LED Driver 120-277V
- 5K LED Color
- Optional Surge Protection
- Optional Dimming

APPLICATIONS

- Garage Area Lighting
- Retail Centers, Industrial Parks, Airports
- Schools, Commercial Buildings, Universities

ELECTRICAL

- 120-277V; 50/60Hz
- 23 Watts; 2,670 Lumens
- 41 Watts; 4,800 Lumens
- 54 Watts; 6,470 Lumens

INSTALLATION

- Surface Mount over Recessed Box, Pendant Mount or Wall Mount (Conduit by Others)

CERTIFICATIONS/LISTINGS

- ETL Listed
- IP65
- Listed for Wet Locations

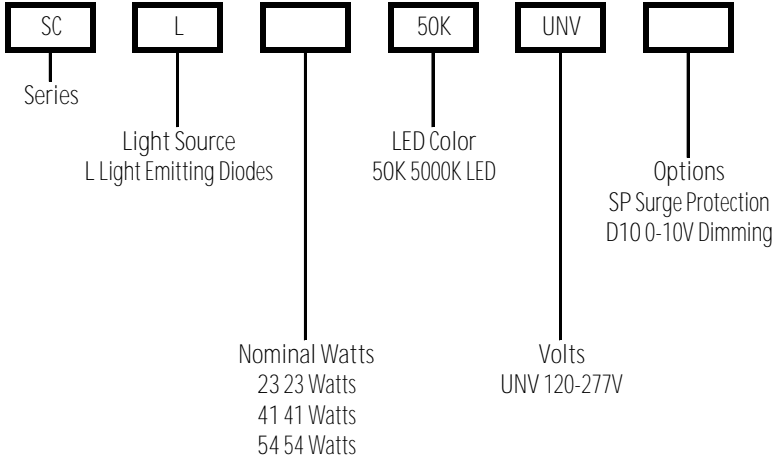


PROJECT _____ TYPE _____

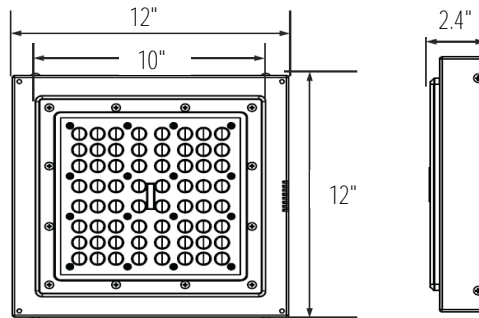
QTY _____ NOTES _____ APPROVAL _____

ORDERING/SPECIFYING INFORMATION:

EXAMPLE: SC L 41 50K UNV



SPECIFICATIONS



OPTIONS/ACCESSORIES

Specifications Subject to Change

