



PL LED Series

SPECIFICATIONS

- Die Cast Aluminum Housing
- Clear or Opal Polycarbonate Lens
- Bronze Powder Coat Finish Standard, Optional Custom Color
- Aluminum Substrate CRI LED Board
- Universal Volt LED Driver with Optional Dimming (Non Dimming 12 Volt)
- 20" Overall Height
- Optional Surge Protection (Not available in 12V)

APPLICATIONS

- General Area Lighting
- Driveways, Walkways, Campuses, Pathways
- Schools, Commercial Buildings, Communities

ELECTRICAL

- 120-277V; 50/60Hz
- 12V Low Voltage (Non Dimming)
- 14 Watts; 1,543 Lumens

INSTALLATION

- Ground Mounts with 3/4" Threaded Post

CERTIFICATIONS/LISTINGS

- CSA Listed
- IP66
- Listed for Wet Locations

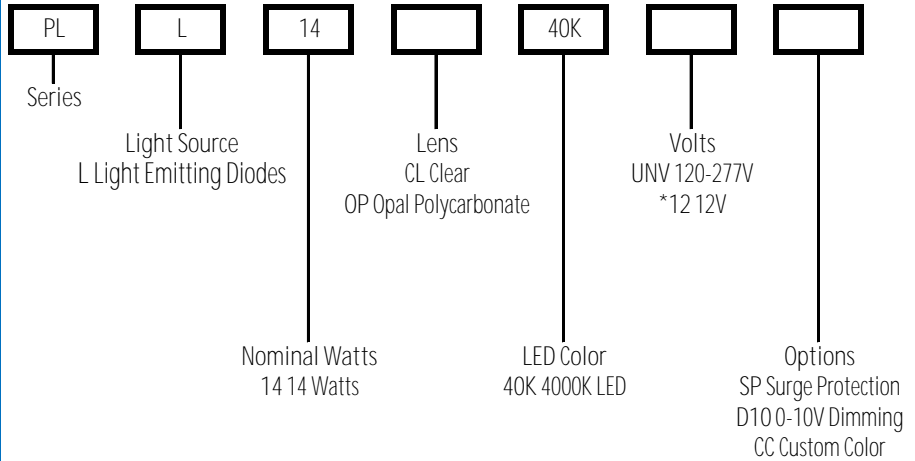


PROJECT _____ TYPE _____

QTY _____ NOTES _____ APPROVAL _____

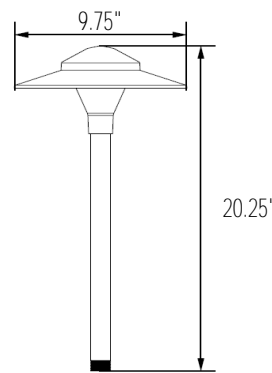
ORDERING/SPECIFYING INFORMATION:

EXAMPLE: PL L 14 CL 40K UNV



* 12V Non Dimming

SPECIFICATIONS



OPTIONS/ACCESSORIES



Specifications Subject to Change