

LGF Amber LED Series

LED Mini Flood Amber



LGF Amber LED Series

SPECIFICATIONS

- Die Cast Aluminum Housing
- Clear Flat Glass Lens
- Bronze Powder Coat Finish, Optional Custom Color
- CRI LED COB
- Universal Volt LED Driver 120-277V
- Monochromatic Amber LED Light
- Turtle Friendly, LEDs Operates Between 585 Nanometers and 595 Nanometers
- Optional Glare Shield

APPLICATIONS

- General Area/Flood Lighting
- Walkways, Parking, Roadway, Area
- Schools, Commercial Buildings, Communities
- Street Lighting, Car Lots, Campuses

ELECTRICAL

- 120-277V; 50/60Hz
- 20 Watt COB

INSTALLATION

- Mounts with 1/2" Threaded Knuckle

CERTIFICATIONS/LISTINGS

- CSA Listed
- IP66
- Listed for Wet Locations

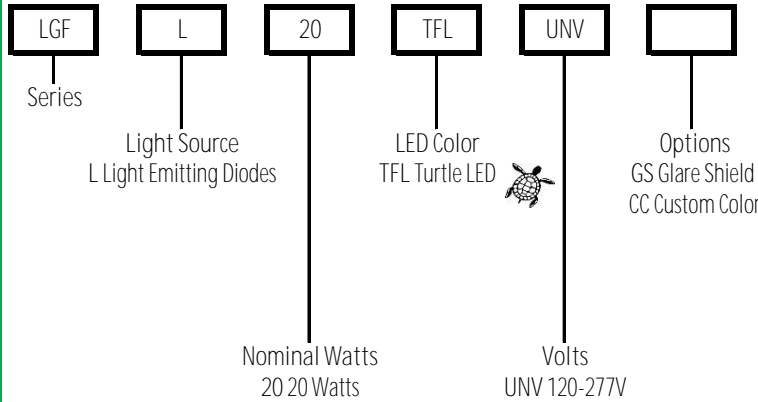


PROJECT _____ TYPE _____

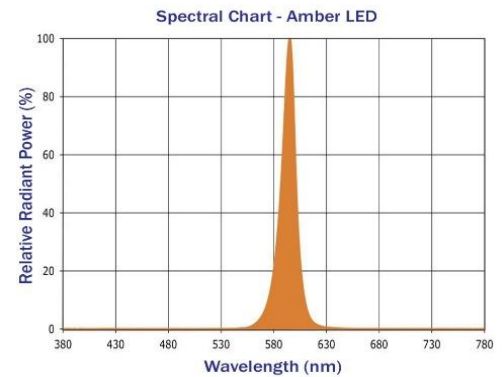
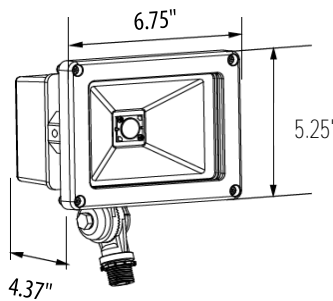
QTY _____ NOTES _____ APPROVAL _____

ORDERING/SPECIFYING INFORMATION:

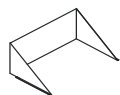
EXAMPLE: LGF L 20 TFL UNV



SPECIFICATIONS



OPTIONS/ACCESSORIES



GS Glare Shield

Specifications Subject to Change

