



IC LED Series

SPECIFICATIONS

- Heavy Duty Die Cast Aluminum Housing
- Gray Powder Coat Finish, Optional Custom Color
- Clear Tempered Flat Glass Lens
- CRI LED Aluminum Substrate Board
- Universal Volt LED Driver 120-277V
- 3K, 4K, 5K or TFL LED Color Options
- Integral Heat Sinking
- Optional Reflector or Angled Reflector
- Optional Round or Square Swivel Mount (Conduit by Other)
- Optional Dimming

APPLICATIONS

- General Area Lighting
- Industrial Plants, Public Transportation
- Commercial Walkways, Weather Exposed Areas
- Institutional, Vandal Resistant, Loading Docks

ELECTRICAL

- 120-277V; 50/60Hz
- 23 Watts; 3,385 Lumens

INSTALLATION

- Ceiling Mount Over Recessed Box or with Surface Conduit
- 3/4" NPS for Pendant Mount (Conduit by Others)

CERTIFICATIONS/LISTINGS

- CSA Listed
- IP66
- Listed for Wet Locations

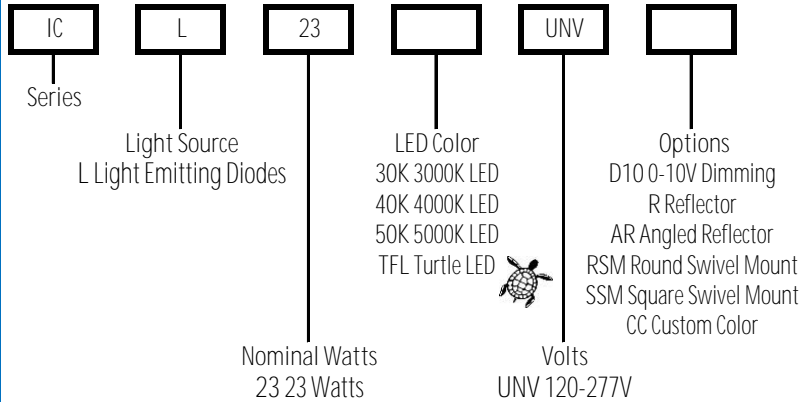


PROJECT _____ TYPE _____

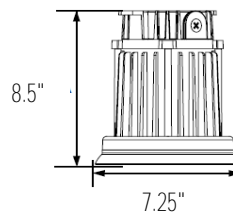
QTY _____ NOTES _____ APPROVAL _____

ORDERING/SPECIFYING INFORMATION:

EXAMPLE: IC L 23 40K UNV



SPECIFICATIONS



OPTIONS/ACCESSORIES



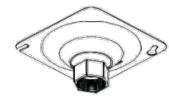
R Reflector



AR Angled Reflector



RSM Round Swivel Mount



SSM Square Swivel Mount

Specifications Subject to Change

