



BVR LED Series

SPECIFICATIONS

- Extruded Aluminum Housing
- Die Cast Aluminum Base
- Clear Polycarbonate Array Inner Sealed Lens
- Bronze or Black Powder Coat Finish, Optional Custom Color
- CRI LED Aluminum Substrate Board
- Universal Volt LED Driver 120-277V, Optional 480V
- 3K, 4K or 5K LED Color Options
- Optional Surge Protection
- Optional Surge Dimming
- 50,000 Hour Life with 3 Year LED Warranty

APPLICATIONS

- General Area/Pathway Lighting
- Entries, Walkways, Pathways, Area
- Schools, Hospitals, Office, Commercial Buildings
- Ingress/Egress, Campuses

ELECTRICAL

- 120-277V; 50/60Hz
- Optional 480V; 50/60Hz
- 16 Watts; 1,678 Lumens

INSTALLATION

- Bolt to Concrete Base or Use Direct Bury Base Option

CERTIFICATIONS/LISTINGS

- CSA Listed
- IP66
- Listed for Wet Locations

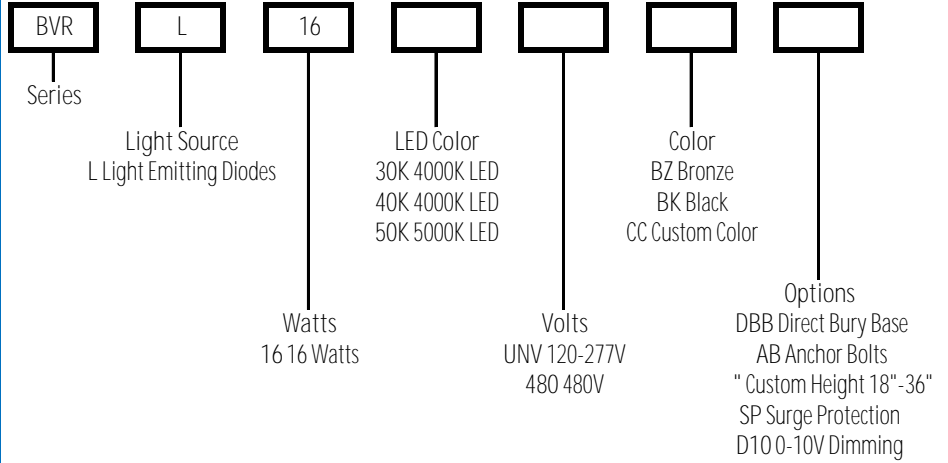


PROJECT _____ TYPE _____

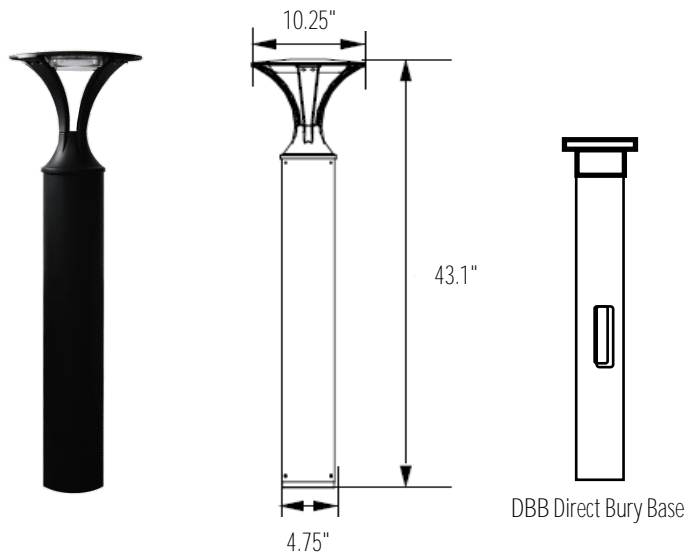
QTY _____ NOTES _____ APPROVAL _____

ORDERING/SPECIFYING INFORMATION:

EXAMPLE: BVR L 16 40K UNV BZ



SPECIFICATIONS



OPTIONS/ACCESSORIES



AB Anchor Bolts



Specifications Subject to Change