

# BSG Series

# Square Top Bollard with Glass Refractor



BSG Series

### SPECIFICATIONS

- Extruded Aluminum Housing
- Die Cast Aluminum Base and Top
- Prismatic Borosilicate Glass Refractor
- Clear Polycarbonate Lens
- Bronze, White or Black Powder Coat Finish, Optional Custom Color
- HID Porcelain Medium Base 4KV Socket or CF Plug-In Type, GX24Q (Non LED)
- Stainless Steel Hardware
- Multiple Light Source Options
- Various Wattages Available
- 3K, 4K, 5K or Turtle LED Color Options
- Optional House Side Shield
- Optional Surge Protection
- Optional Type III Glass Refractor

### APPLICATIONS

- General Area/Pathway Lighting
- Entries, Walkways, Pathways, Area
- Schools, Hospitals, Offices, Commercial Buildings
- Ingress/Egress, Campuses

### ELECTRICAL

- 120-277V; 50/60Hz: LED 15W & CF 42W & 57W
- Quad: MH & HPS 50W, 70W & 100W
- 480V: MH & HPS 70W & 100W & LED 15W
- 120V: HPS 35W, 50W, 70W & 100W

### INSTALLATION

- Bolt to Concrete Base or Use Direct Bury Option

### CERTIFICATIONS/LISTINGS

- CSA Listed
- Listed for Wet Locations




PROJECT \_\_\_\_\_ TYPE \_\_\_\_\_

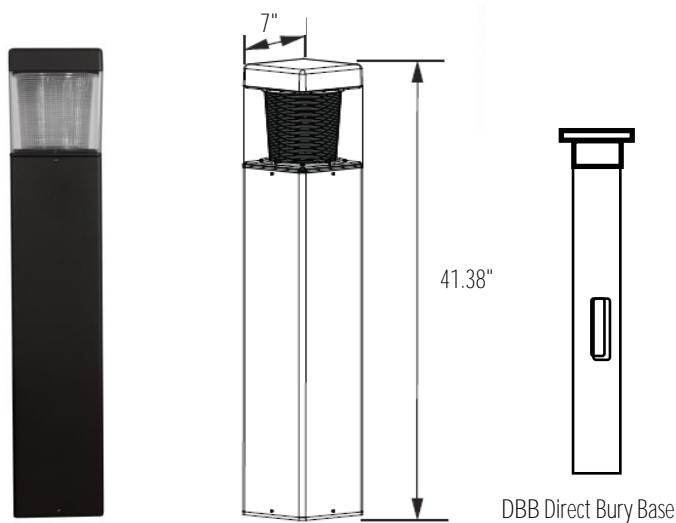
QTY \_\_\_\_\_ NOTES \_\_\_\_\_ APPROVAL \_\_\_\_\_

### ORDERING/SPECIFYING INFORMATION:

EXAMPLE: BSG M 50 Q BZ L

BSG						
Series	Light Source M Metal Halide H High Pressure Sodium F Compact Fluorescent L Light Emitting Diodes		LED Color ___ Non LED 30K 3000K LED 40K 4000K LED 50K 5000K LED TFL Turtle LED 		Color BZ Bronze WH White BK Black CC Custom Color	Options No Lamp L Lamped HSS House Side Shield DBB Direct Bury Base AB Anchor Bolts " Custom Height 18"-36" SP Surge Protection T3G Type III Glass Refractor
		Watts		Volts		
		MH HPS CF LED		UNV 120-277V		
		50 35 42 15		Q 120/208/240/277V		
		70 50 57		480 480V		
		100 70		120 120V		
		100				

### SPECIFICATIONS



### OPTIONS/ACCESSORIES



AB Anchor Bolts



HSS House Side Shield



T3G Type III Glass



Specifications Subject to Change