



BBS LED Series

SPECIFICATIONS

- Extruded Aluminum Housing
- Die Cast Aluminum Base and Top
- Reflective White Internal Cone Reflector
- Clear Polycarbonate Lens
- Bronze, White or Black Powder Coat Finish, Optional Custom Color
- CRI LED COB
- Universal Volt LED Driver 120-277V, Optional 480V
- 4100K LED Color
- Optional House Side Shield
- Optional Surge Protection
- Optional Dimming
- Optional Emergency Battery Pack
- 50,000 Hour Life with 3 Year LED Warranty

APPLICATIONS

- General Area/Pathway Lighting
- Entries, Walkways, Pathways, Area
- Schools, Hospitals, Office, Commercial Buildings
- Ingress/Egress, Campuses

ELECTRICAL

- 120-277V; 50/60Hz
- Optional 480V; 50/60Hz
- COB 20 Watts; 2,409 Lumens

INSTALLATION

- Bolt to Concrete Base or Use Direct Bury Base Option

CERTIFICATIONS/LISTINGS

- CSA Listed
- IP66
- Listed for Wet Locations



PROJECT _____ TYPE _____
 QTY _____ NOTES _____ APPROVAL _____

ORDERING/SPECIFYING INFORMATION:



Series

Light Source
L Light Emitting Diodes

LED Color
41K 4100K LED

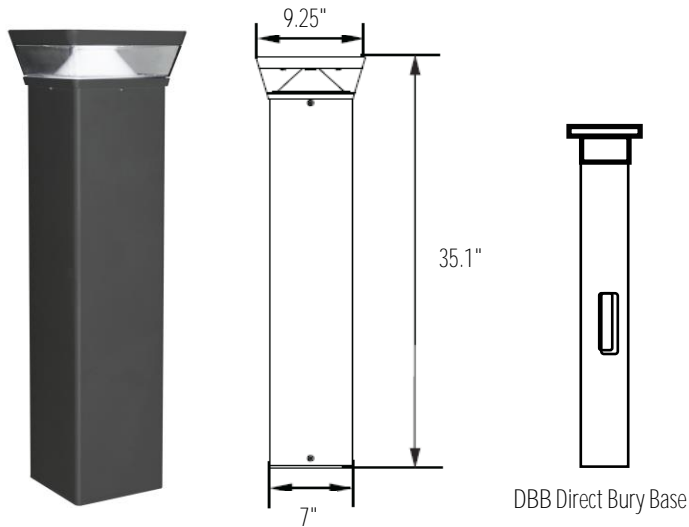
Watts
20 20 Watts

Volts
UNV 120-277V
480 480V

Color
BZ Bronze
WH White
BK Black
CC Custom Color

Options
HSS House Side Shield
DBB Direct Bury Base
AB Anchor Bolts
" Custom Height 18"-36"
SP Surge Protection
D10 0-10V Dimming
EM 90 Min Emergency Pack

SPECIFICATIONS



OPTIONS/ACCESSORIES



AB Anchor Bolts



HSS House Side Shield



Specifications Subject to Change