

VTL LED Series

LED Volumetric Troffer Lay-In



VTL LED Series

SPECIFICATIONS

- Heavy Gauge Cold Rolled Steel Housing
- Baked White Enamel Finish
- Single Center Basket Lens with White Sidewalls
- Available in 2'x2' and 2'x4'
- CRI LED Light Engine
- Universal Volt LED Driver 120-277V, Optional Dimming
- 35K, 40K or 50K LED Color Options
- Optional Emergency Battery

APPLICATIONS

- General Area Lighting
- Schools, Conference Rooms, Retail, Hospitals
- Corridors, Offices, Foyer, Healthcare

ELECTRICAL

- 120-277V; 50/60Hz
- 2'x2' 26 Watts; 3,200 Lumens
- 2'x4' 48 Watts; 5,796 Lumens

INSTALLATION

- Recessed Mount

CERTIFICATIONS/LISTINGS

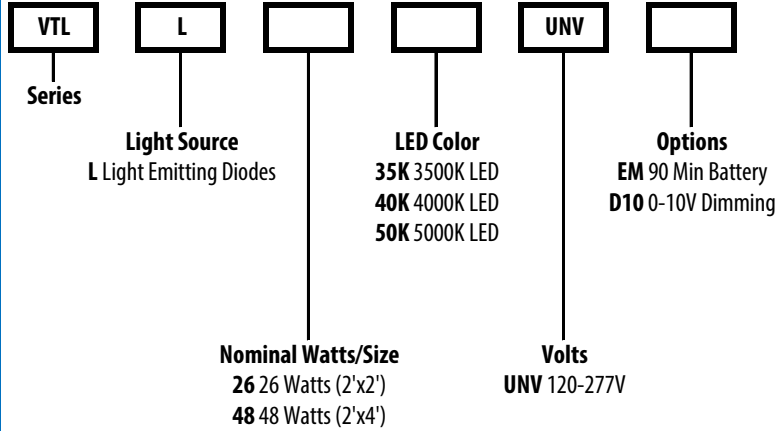
- UL Listed
- Listed for Damp Locations

PROJECT _____ TYPE _____

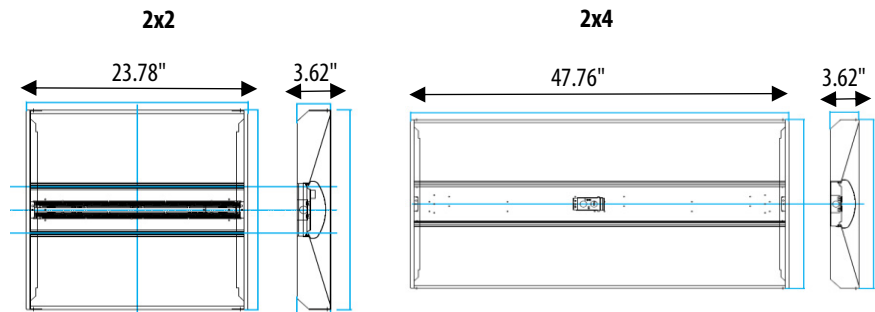
QTY _____ NOTES _____ APPROVAL _____

ORDERING/SPECIFYING INFORMATION:

EXAMPLE: VTL L 26 40K UNV



SPECIFICATIONS



OPTIONS/ACCESSORIES



Specifications Subject to Change

