



**WA Series**

**SPECIFICATIONS**

- Housing Formed of Cold Rolled Steel
- Highly Reflective White Enamel Finish
- Prismatic Lens
- T12, T8 or T5 Lamp Fluorescent Types Available
- LED T8 (BC) Ballast Capitable or (BP) By-Pass
- Minimum 87% Reflectivity
- Available in 2', 4' & 8' Lengths
- Units Equipped with Knockouts and Holes for Pendant Mounting (Conduit by Others)
- Optional Lamped, Fuse, Battery Backup & Tandem
- Optional Fuse
- Optional Emergency Battery
- Optional Tandem

**APPLICATIONS**

- General Area Lighting
- Schools, General Commerical, Retail, Hospitals
- Offices, Conference Rooms, Storage Areas

**ELECTRICAL**

- 120-277V; 50/60Hz

**INSTALLATION**

- Surface or Pendant Mount (Conduit by Others)

**CERTIFICATIONS/LISTINGS**

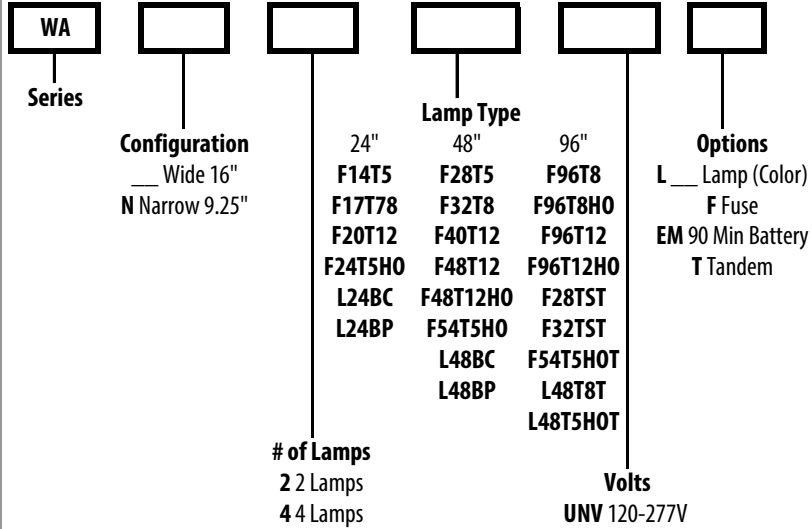
- UL Listed

PROJECT \_\_\_\_\_ TYPE \_\_\_\_\_

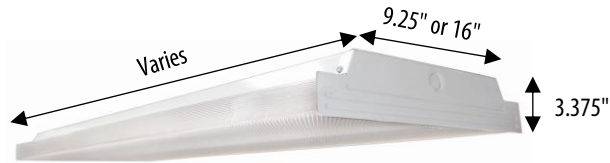
QTY \_\_\_\_\_ NOTES \_\_\_\_\_ APPROVAL \_\_\_\_\_

**ORDERING/SPECIFYING INFORMATION:**

**EXAMPLE:** WA 4 F32T8 UNV L841



**SPECIFICATIONS**



**OPTIONS/ACCESSORIES**