

SLA LED Series

Stealth Large LED Area Light



SLA LED Series

SPECIFICATIONS

- Die Cast Aluminum Housing
- Heat Resistant Polycarbonate Lens
- Bronze Powder Coat Finish
- Modular LED Bars
- Universal Volt LED Driver 120-277V
- Type III or Type V Light Distribution
- 3K, 4K or 5K LED Color Options
- Multiple Mounting Options
- Optional Photocell (Field Installed)

APPLICATIONS

- General Area Lighting
- Parking, Roadway
- Industrial Parks, Public Transportation, Airports
- Office Buildings, Medical Facilities, Communities

ELECTRICAL

- 120-277V; 50/60Hz
- Optional 480V; 50/60Hz
- 220 Watt; 21,495 Lumens; 3000K
- 220 Watt; 26,219 Lumens; 4000K
- 220 Watt; 26,731 Lumens; 5000K
- 300 Watt; 30,857 Lumens; 3000K
- 300 Watt; 37,597 Lumens; 4000K
- 300 Watt; 38,122 Lumens; 5000K

INSTALLATION

- Mounts with Arm Mount, Adjustable Slip Fitter or U-Bracket

CERTIFICATIONS/LISTINGS

- UL Listed
- IP65
- Listed for Wet Locations

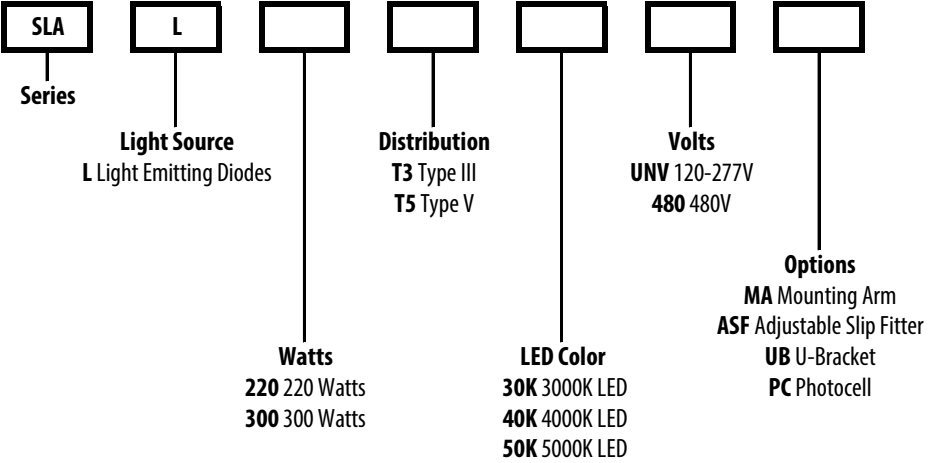


PROJECT _____ TYPE _____

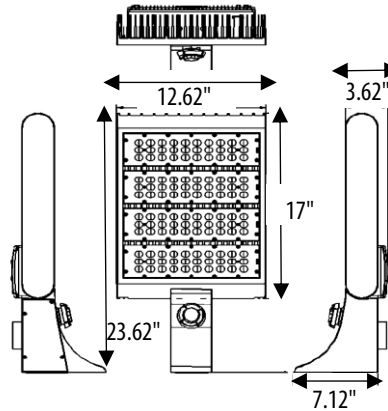
QTY _____ NOTES _____ APPROVAL _____

ORDERING/SPECIFYING INFORMATION:

EXAMPLE: SLA L 220 T3 30K UNV



SPECIFICATIONS



OPTIONS/ACCESSORIES



MA Mounting Arm



ASF Adjustable Slip Fitter



UB U-Bracket



Specifications Subject to Change