



SAL LED Series

SPECIFICATIONS

- Die Cast Aluminum Housing
- Heat Resistant Polycarbonate Lens
- Bronze Powder Coat Finish
- Stainless Steel Hardware
- Modular LED Bars
- Universal Volt LED Driver 120-277V
- Type III or Type V Light Distribution
- 4K or 5K LED Color Options
- Multiple Mounting Options

APPLICATIONS

- General Area Lighting
- Parking, Roadway, Auto Dealerships, Signs
- Industrial Parks, Public Transportation, Airports
- Office Buildings, Medical Facilities, Communities

ELECTRICAL

- 120-277V; 50/60Hz
- Optional 480V; 50/60Hz
- 185 Watt; 24,000 Lumens
- 300 Watt; 38,000 Lumens

INSTALLATION

- Mounts with Arm Mount, Slip Fitter or Wall Mount

CERTIFICATIONS/LISTINGS

- UL Listed
- IP65
- Listed for Wet Locations

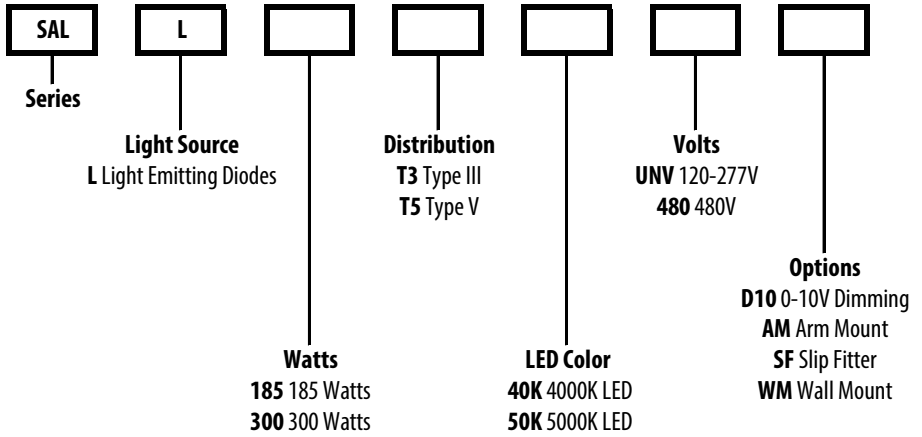


PROJECT _____ TYPE _____

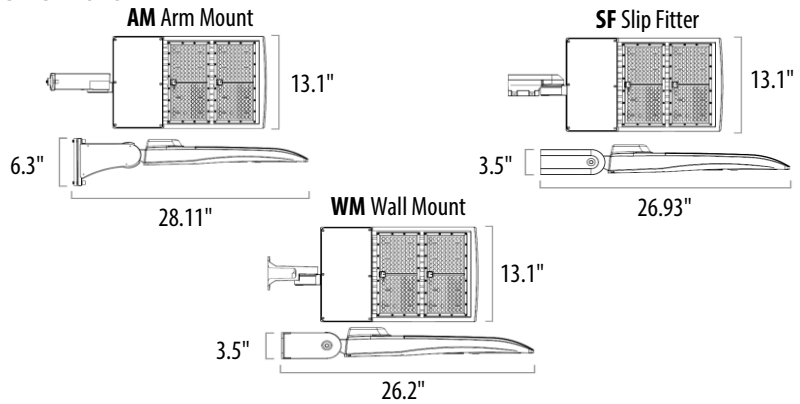
QTY _____ NOTES _____ APPROVAL _____

ORDERING/SPECIFYING INFORMATION:

EXAMPLE: SAL L 185 T3 40K UNV



SPECIFICATIONS



OPTIONS/ACCESSORIES



Specifications Subject to Change

