



REL Series

SPECIFICATIONS

- Aluminum Housing
- Injected Molded Acrylic
- LED Charge Indicator
- Push to Test Switch
- 6V Lead Acid Battery, Maintenance Free
- Snap In/Out Chevron Direction Indicators
- Optional AC and Battery Back Up Models
- Single Face or Double Face (Blank Included)
- LED Light Source
- Dual Voltage 120/277V

APPLICATIONS

- General Emergency Lighting
- Offices, Stores, Hospitals
- Ceiling or Wall Mount
- Suitable for Outside Covered Applications

ELECTRICAL

- 120/277V; 60Hz
- 90 Minute Emergency Operation, Optional

INSTALLATION

- Ceiling or Wall Mount
- Compatible with Drywall or Drop Ceiling
- Bar Hangers Included

CERTIFICATIONS/LISTINGS

- UL Listed
- Listed for Damp Locations

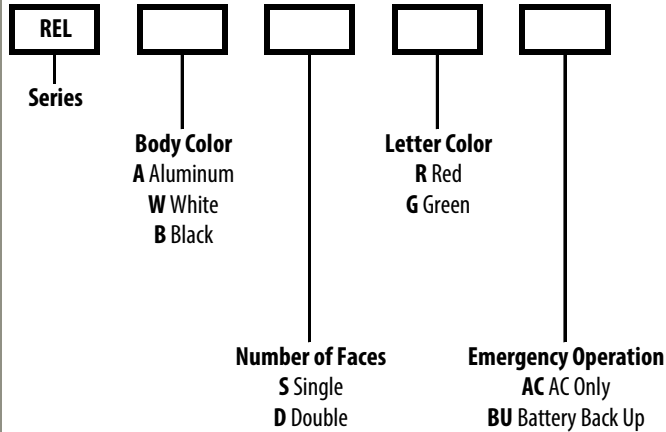


PROJECT _____ TYPE _____

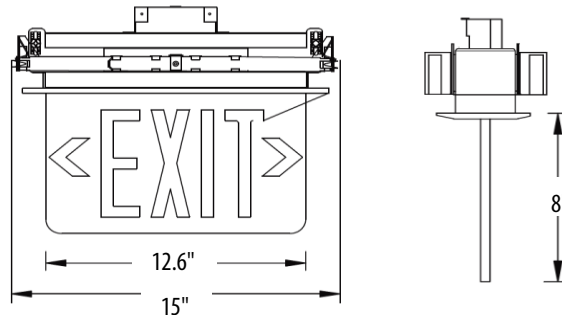
QTY _____ NOTES _____ APPROVAL _____

ORDERING/SPECIFYING INFORMATION:

EXAMPLE: REL A S R BU



SPECIFICATIONS



OPTIONS/ACCESSORIES

Specifications Subject to Change

