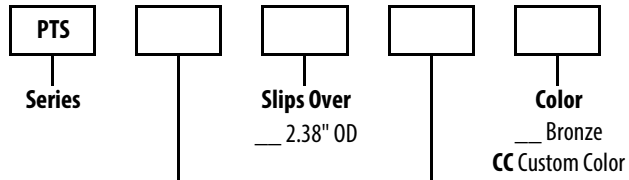
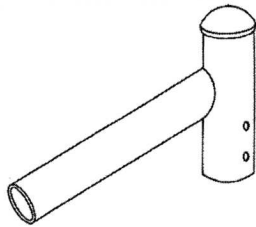


Ordering/Specifying Information

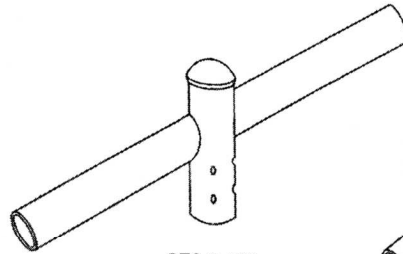
- Slips Over Existing Tenon
- Allows for Multiple Fixture Mounting
- Steel Construction
- Choice of Tenon Lengths
- Choice of Powder Coat Colors



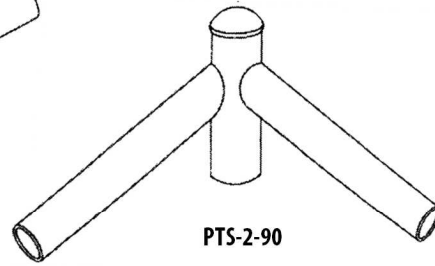
Tenons	Tenon Length
1-90 1 @90	6 6"
2-180 2 @180	8 8"
2-90 2 @90	10 10"
3-120 3 @120	12 12"
3-90 3 @90	18 18"
4-90 4 @90	24 24"



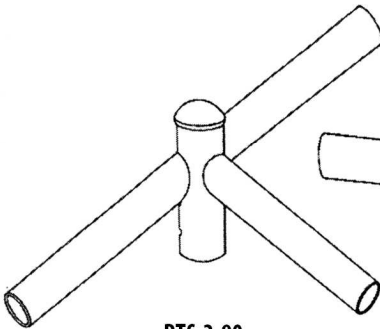
PTS-1-90



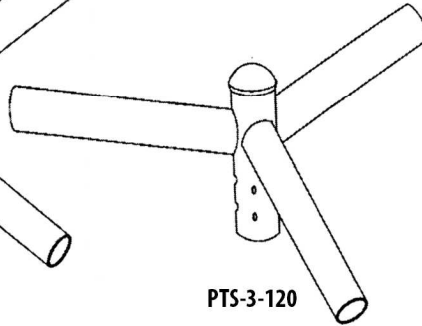
PTS-2-180



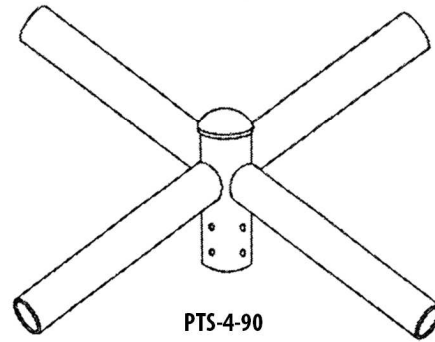
PTS-2-90



PTS-3-90



PTS-3-120



PTS-4-90

Notes

- 1) Steel Construction
- 2) Circumferentially Welded 2.38" OD Tenons
- 3) Removable Center Cap for Wiring Access
- 4) Qty 4 - Hex Head Stainless Set Screws for Securing



PROJECT		SOUTHEAST POLES		
TYPE	QTY	TITLE Steel Pole Tenon Adapters		
NOTES		DRAWING/FILE SE Pole and Bracket Catalog.xlsx		
APPROVAL		DATE 4/26/2018	SCALE N.T.S.	SHEET 1 OF 1