

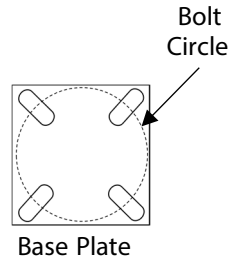
FEATURES

- 5" Extruded Aluminum Tube
- Solid Aluminum Base Plate
- Solid Aluminum Gussets
- All Parts Circumferentially Welded
- Bronze Finish with Optional Colors
- Overall Heights up to 25 Feet
- Handhole Access for Wiring
- Pole Base Cover Included
- 8.5"-11" Bolt Circle
- Optional 1" x 36" L Bolts
- For Fixtures with 2.38 Slip Fitter
- Wind Rated for Fixtures with No Tilt
- Wind Rated up to 180 MPH
- Fixture Sold Separately
- Foundation Sold Separately
- Use CBR-24 Base or Field Cast

APPLICATIONS

- General Court Lighting
- Tennis Court Lighting
- Basketball Court Lighting

Concrete Foundation with Embedded L Bolts (Sold Separately)

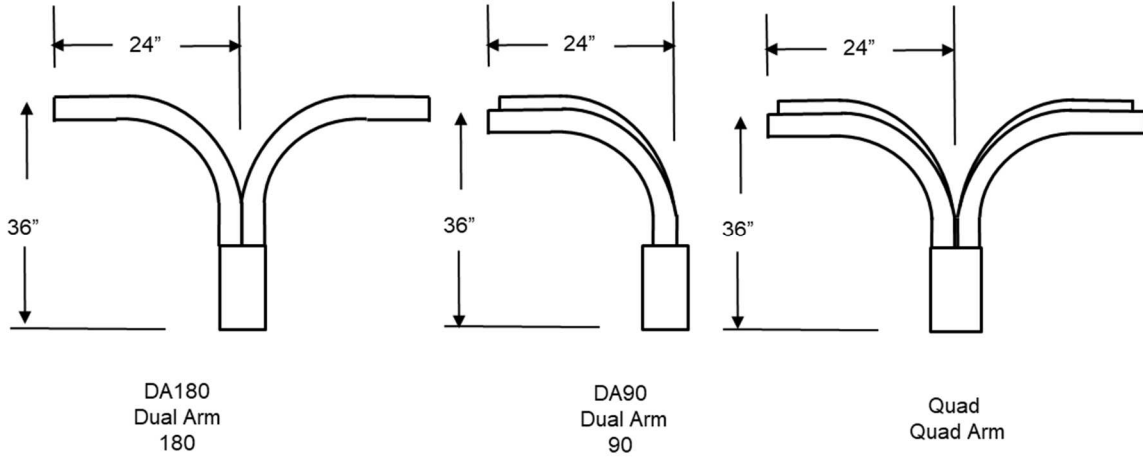


PAT Series

Round Aluminum Tennis Pole

Pole Ordering/Specifying Information

PAT						
SERIES	Height 18 18 Feet 20 20 Feet 22 22 Feet 24 24 Feet 25 25 Feet	Arm SA DA180 DA90 Quad	Color BZ Bronze CC Custom Color	Duty ND Normal MD Medium HD Heavy S Strength Process	Mount _ Drill/Cap T 2.38" Tenon	Options AB Bolts



Pole	Overall Height	Pole Height	Arm Height	Wall Thickness	Bolt Circle	Base Plate Sq/Thick	Bolts	
PAT-18	18	15	3	.188"-5	8.5"-11"	10.65"/1"	1" x 36"	-
PAT-20	20	17	3	.188"-5	8.5"-11"	10.65"/1"	1" x 36"	-
PAT-22	22	19	3	.188"-5	8.5"-11"	10.65"/1"	1" x 36"	-
PAT-24	24	21	3	.188"-5	11"-13"	12"/1.5"	1" x 36"	-
PAT-25	25	22	3	.188"-5	11"-13"	12"/1.5"	1" x 36"	-

Specifications Subject to Change



PROJECT		SOUTHEAST POLES		
TYPE	QTY	TITLE Round Aluminum Tennis Pole		
NOTES		DRAWING/FILE SE Pole and Bracket Catalog.xlsx		
APPROVAL		DATE 4/26/2018	SCALE N.T.S.	SHEET 2 OF 2