



EXITM Series

SPECIFICATIONS

- Injection Molded Thermoplastic Housing
- LED Charge Indicator
- Push to Test Switch
- Ni-Cad Premium Battery
- Dual Voltage 120/277V
- Snap In/Out Chevron Direction Indicators
- Single Face or Double Face (Blank Included)
- LED Light Source
- Universal Mount

APPLICATIONS

- General Emergency Lighting
- Offices, Warehouses, Walkways, Garages
- Universal Wall or Ceiling Mount
- Suitable for Outside Covered Applications

ELECTRICAL

- 120/277V; 60Hz
- 90 Minute Emergency Operation

INSTALLATION

- Universal Mount

CERTIFICATIONS/LISTINGS

- UL Listed
- Listed for Damp Locations

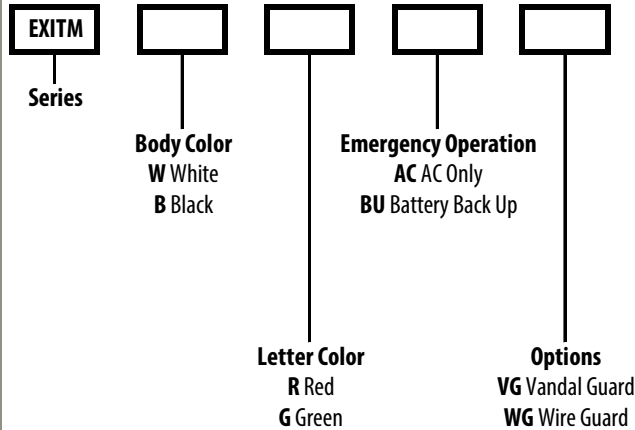


PROJECT _____ TYPE _____

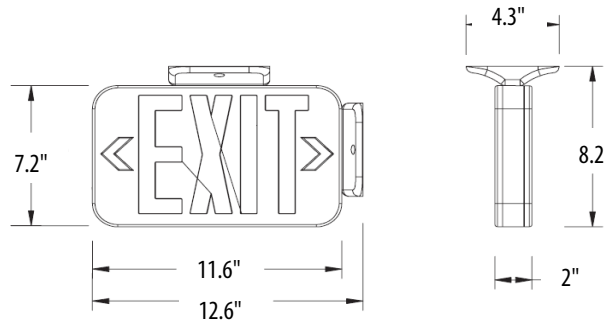
QTY _____ NOTES _____ APPROVAL _____

ORDERING/SPECIFYING INFORMATION:

EXAMPLE: EXITM W R BU



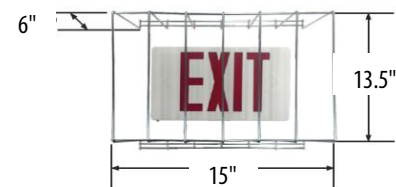
SPECIFICATIONS



OPTIONS/ACCESSORIES



VG Vandal Guard



WG Wire Guard



Specifications Subject to Change