

EXCOM WP Series

LED Weather Proof Exit/Emergency Combo



EXCOM WP Series

SPECIFICATIONS

- Corrosion Resistant and Thermoplastic Housing
- Sealed Gasket Housing
- Adjustable Glare Free Lighting Heads
- Nicad Battery, Maintenance Free
- Two 3.6V, 1.17W Weather Proof LEDS Lamps
- Snap In/Out Chevron Direction Indicators
- Remote Capable 3 Watt for 90 Minutes
- Double Face
- LED Light Source for both Exit and Heads
- Dual Voltage 120/277V
- Ceiling or Wall Mount
- Suitable Wet Locations

APPLICATIONS

- General Emergency Lighting
- Offices, Warehouses, Walkways, Garages
- Schools, Hospitals, Corridors

ELECTRICAL

- 120/277V; 60Hz
- 90 Minute Emergency Operation

INSTALLATION

- Ceiling or Wall Mount

CERTIFICATIONS/LISTINGS

- UL Listed
- Listed for Wet Locations

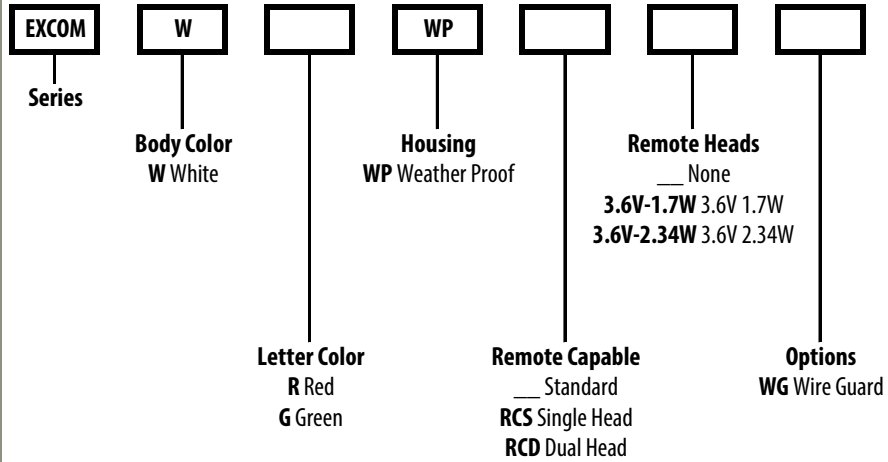


PROJECT _____ TYPE _____

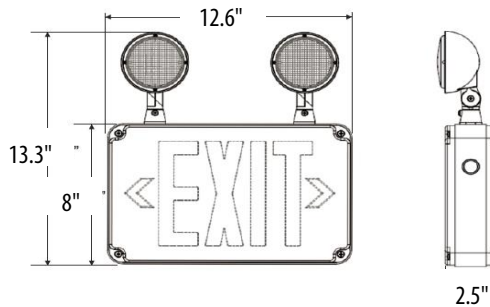
QTY _____ NOTES _____ APPROVAL _____

ORDERING/SPECIFYING INFORMATION:

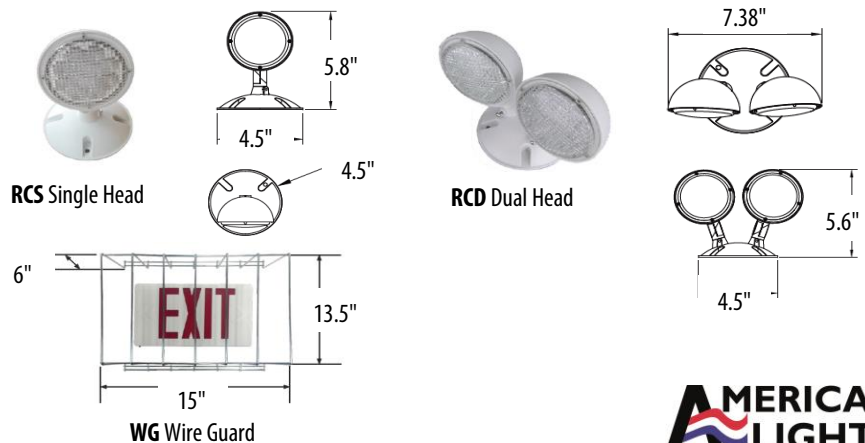
EXAMPLE: EXCOM W R WP



SPECIFICATIONS



OPTIONS/ACCESSORIES



Specifications Subject to Change