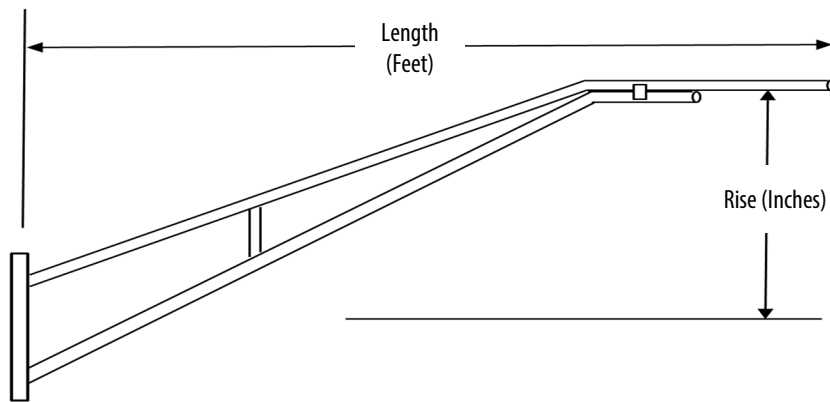
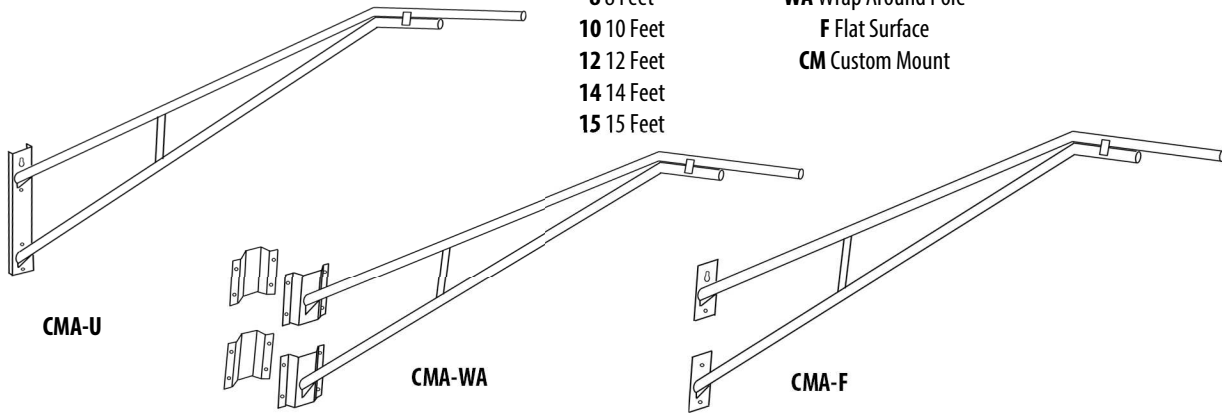
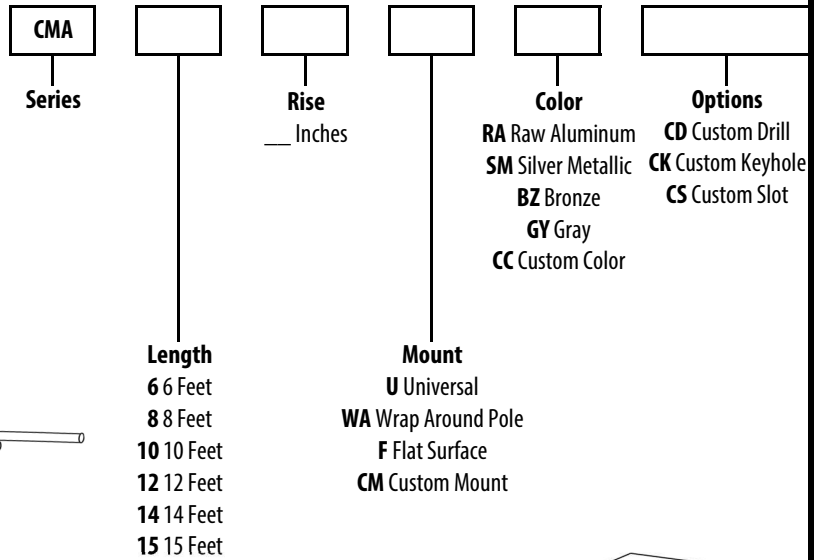


CMA Series

2" Aluminum Cobra Mast Arm Series

Ordering/Specifying Information

- 2" (2.38" OD) Aluminum Pipe
- Multiple Mounting Options
- Varying Lengths
- Raw Aluminum or Powder Coat Finish
- Mounting Hardware Sold Separately



NOTES

- 1) Welded Aluminum Construction
- 2) Pipe is Circumferently Welded to Supports
- 3) Angular Supports Circumferently Welded
- 4) Custom Drills, Slot and Keyholes; Consult Factory
- 5) U Bracket mounts to Wood, Concrete & Metal Poles
- 6) U Bracket mounts to Flat or Round Surfaces



PROJECT		SOUTHEAST POLES	
TYPE	QTY	TITLE	
		2" Aluminum Cobra Mast Arm Series	
NOTES		DRAWING/FILE	
		SE Pole and Bracket Catalog.xlsx	
APPROVAL		DATE	SCALE
		4/26/2018	N.T.S.
		SHEET	1 OF 1