

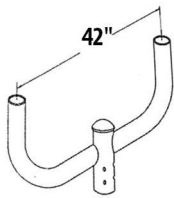
BHR Series

Round Steel Bullhorns

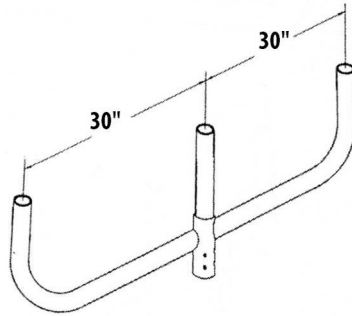
- Slips Over Existing Tenon
- Allows for Multiple Fixture Mounting
- Provides for 2, 3 or 4 - 2.38" OD Tenons
- Choice of Colors
- Powder Coat Finish

Ordering/Specifying Information

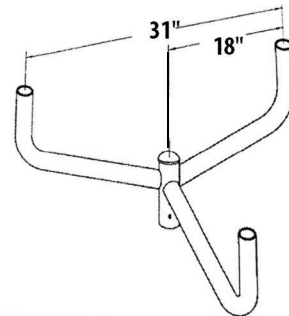
BHR			
Series	Tenons-Deg 2 3-180 3-120 4-180 4-90 (Not Shown)	Slips Over ___ 2.38"	Color ___ Bronze CC Custom Color



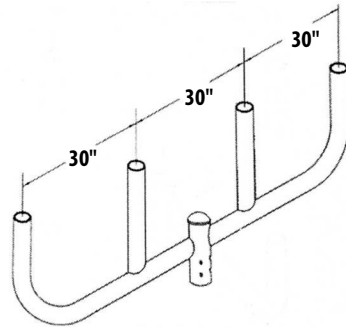
BHR-2



BHR-3-180



BHR-3-120



BHR-4-180

NOTES

- 1) Steel Tubing
- 2) Circumferentially Welded 2.38" OD Tenons
- 3) Removable Cap for Wiring Access
- 4) Stainless Set Hex Heads for Securing



PROJECT		SOUTHEAST POLES		
TYPE	QTY	TITLE Round Steel Bullhorns		
NOTES		DRAWING/FILE SE Pole and Bracket Catalog.xlsx		
APPROVAL		DATE 4/26/2018	SCALE N.T.S.	SHEET 1 OF 1