

ASM LED Series

LED Medium Square Area Light



ASM LED Series

SPECIFICATIONS

- Die Cast Aluminum Housing
- Tempered Flat Clear Glass Lens
- Uniformed Poured Silicone Gasket
- Bronze Powder Coat Finish, Optional Custom Color
- Aluminum Substrate CRI LED Board
- Universal Volt LED Electronic Driver 120-277V
- 3K, 4K or 5K LED Color Options
- Optional Emergency Battery
- Optional Surge Protection
- Optional Wire Guard or Glare Shield

APPLICATIONS

- General Area/Pathway Lighting
- Walkways, Parking, Roadway, Area
- Schools, Commercial Buildings, Communities
- Street Lighting, Car Lots, Campuses

ELECTRICAL

- 120-277V 50/60Hz
- Optional 480V 50/60Hz
- 56 Watts; 5,023 Lumens

INSTALLATION

- Mounts with 6" Arm (Round/ Square) for Direct Pole Mount or to Slip Fitter or Mounts with Adjustable Slip Fitter or U-Bracket or Yoke Mount

CERTIFICATIONS/LISTINGS

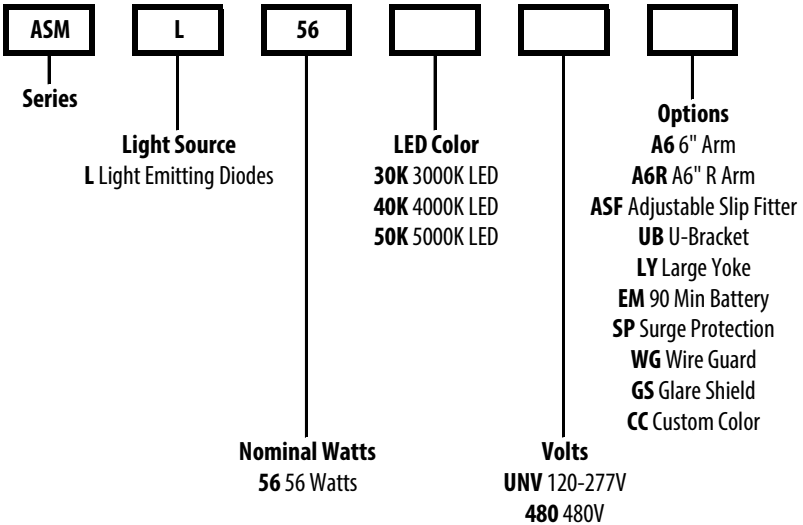
- CSA Listed
- IP65
- Listed for Wet Locations

PROJECT _____ TYPE _____

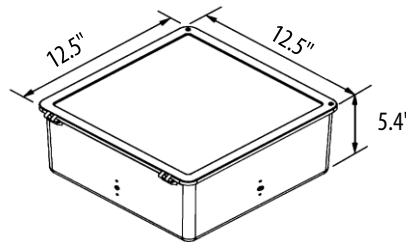
QTY _____ NOTES _____ APPROVAL _____

ORDERING/SPECIFYING INFORMATION:

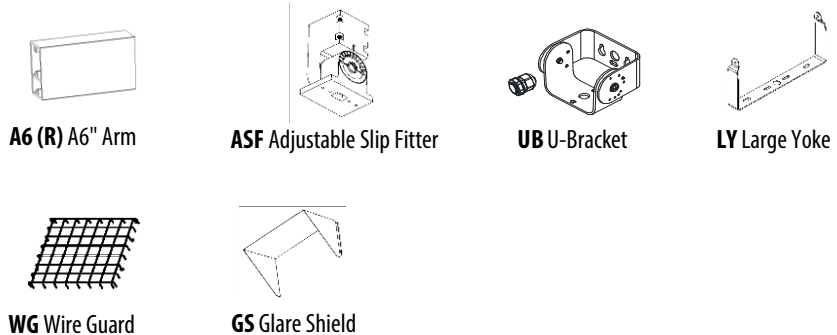
EXAMPLE: ASM L 56 50K UNV



SPECIFICATIONS



OPTIONS/ACCESSORIES



Specifications Subject to Change

